

DHB-1130/DHB-1131

- Body: Made of aluminum with treatment of corrosion protection and UV-proof powder coating.
- Diffuser: Clear glass
- Gasketing: Made of termostable silica gel to improtation cass.
- Fastener: 304 stainless steel.



Sand Black



Dark Grey



Sand Silver

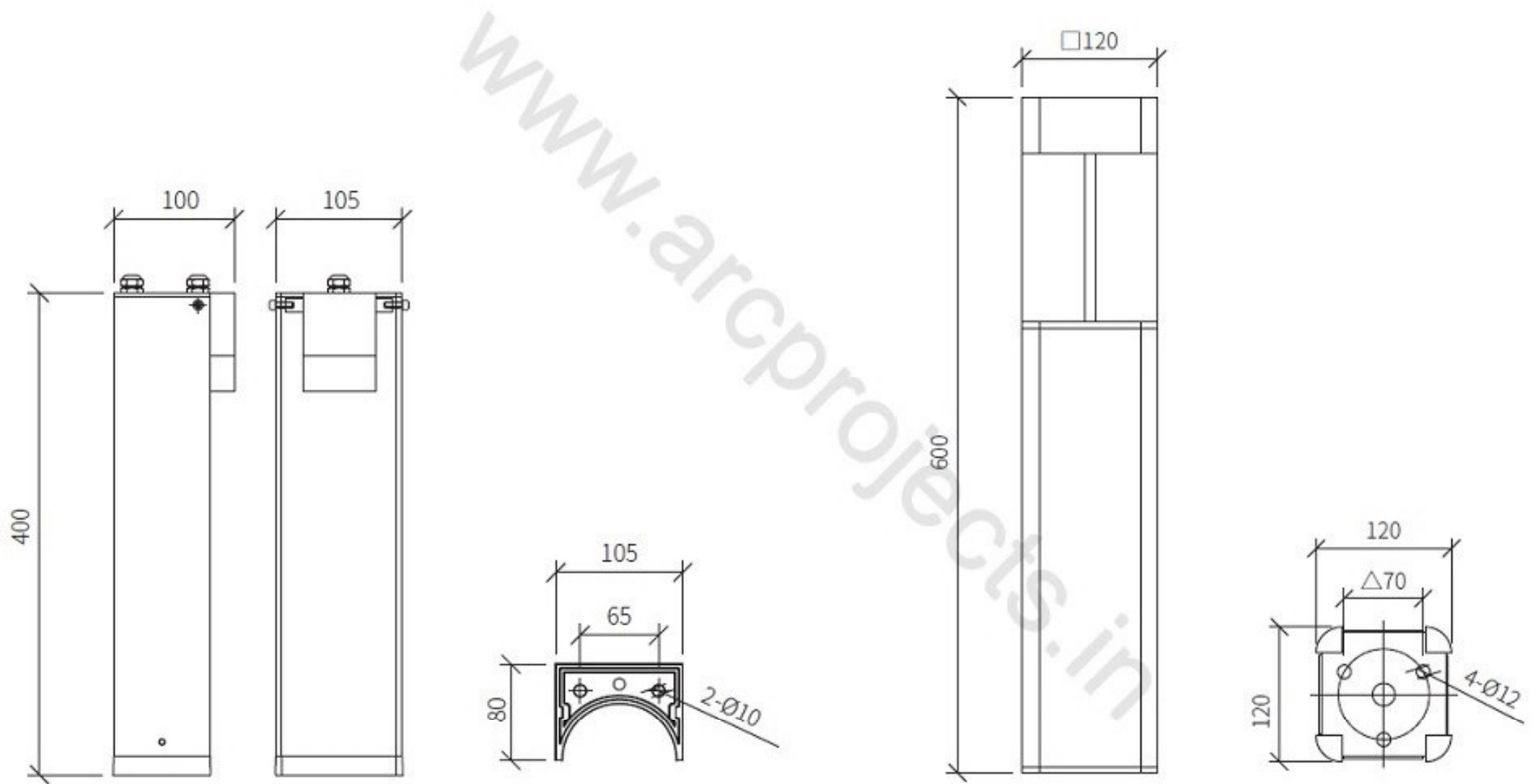


Gray Metal Sand Grain

Model NO. 型号	Lamp 光源	Power 功率	Voltage 电压	Color Temperature 色温
DHB-1130	LED	5W	90-260V 50/60Hz	<input checked="" type="checkbox"/> 3000K <input type="checkbox"/> 6000K
DHB-1131	LED	7W		



Dimensions





www.ercprojects.in





www.etcpprojects.in

DHB-1130



www.archprojects.in

DHB-1131