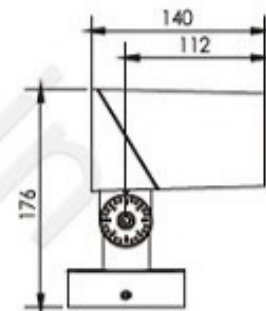
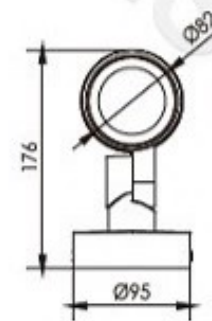
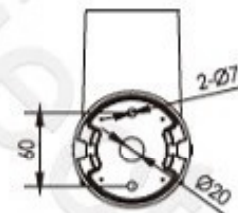
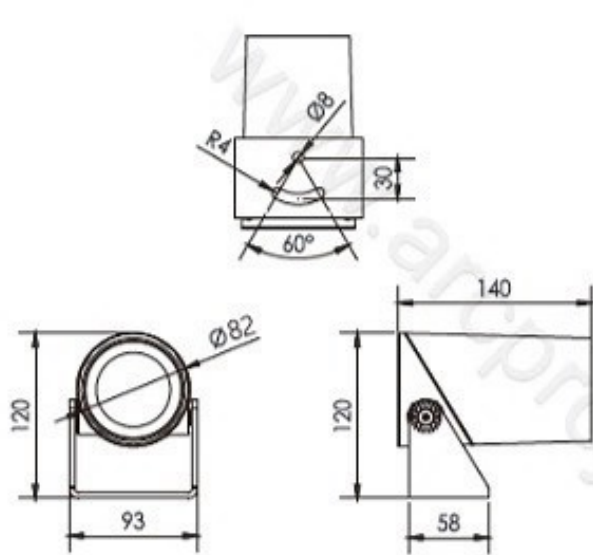


SL1145F

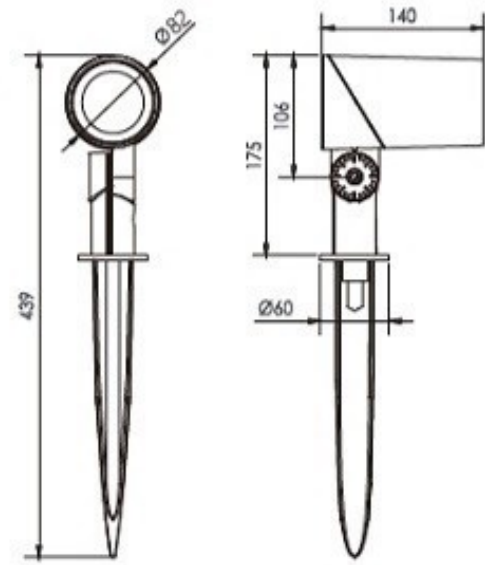




SL1145U



SL1145S



## Specification

Product Code	SL1145FE-1	SL1145FF-1	SL1145FE-C12
Led Brand	CREE XHP35	CREE RGBW 4 in 1	CREE COB
Led Quantity	1pc	1pc	1pc
Rated Power	10W	8W	12W
Input Voltage	AC100-264V	DC12V/DC24V	AC100-264V
Frequency Range	50/60Hz	/	50/60Hz
Color	Single	RGBW	Single
Beam Rangle	3° 8° 25° 10X45°	8° 25° 10X45°	12° 24° 38°
Control Mode	CC	DMX512	CC
Life	50000H	50000H	50000H
Protection Grade	IP66	IP66	IP66
Ambient Temperature	-25℃~50℃	-25℃~50℃	-25℃~50℃
Ambient Humidity	10%~90%	10%~90%	10%~90%