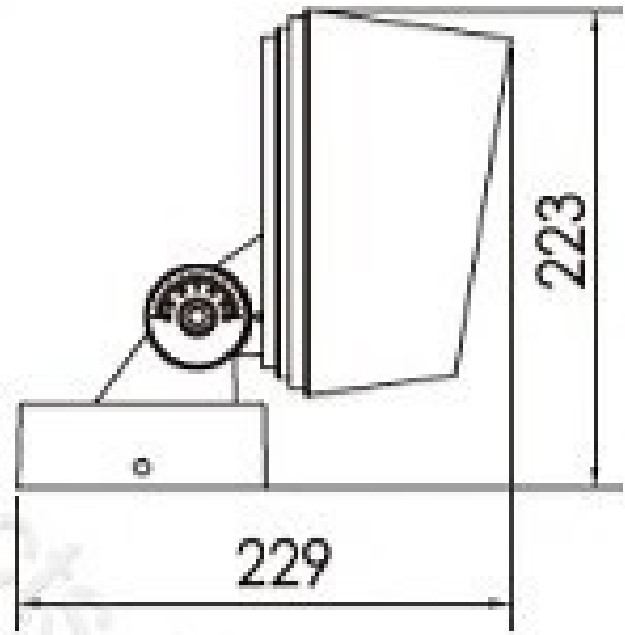
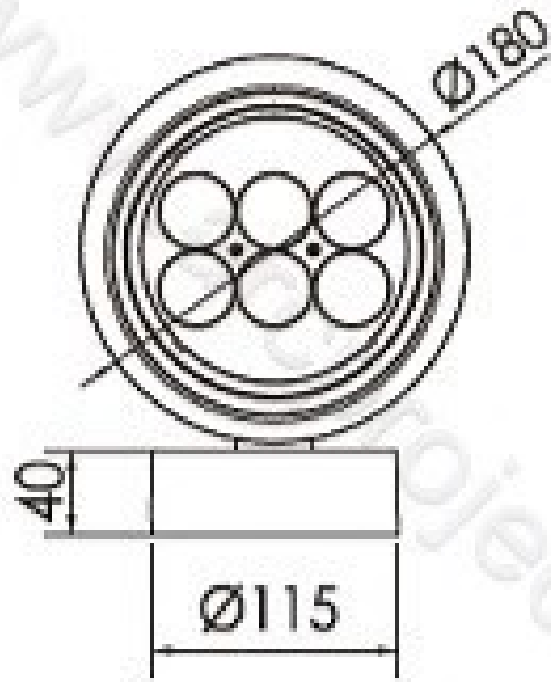
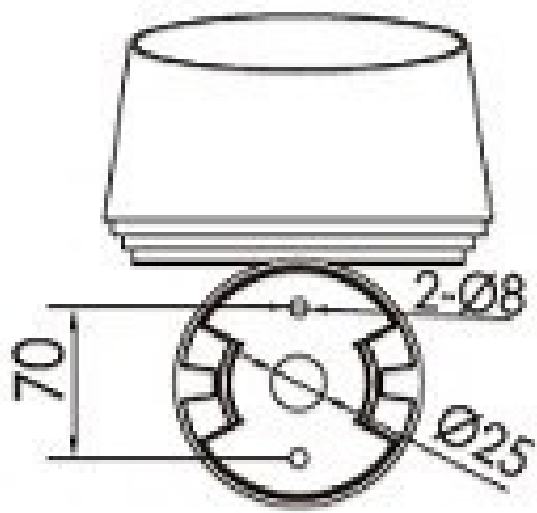


Flood Light Series

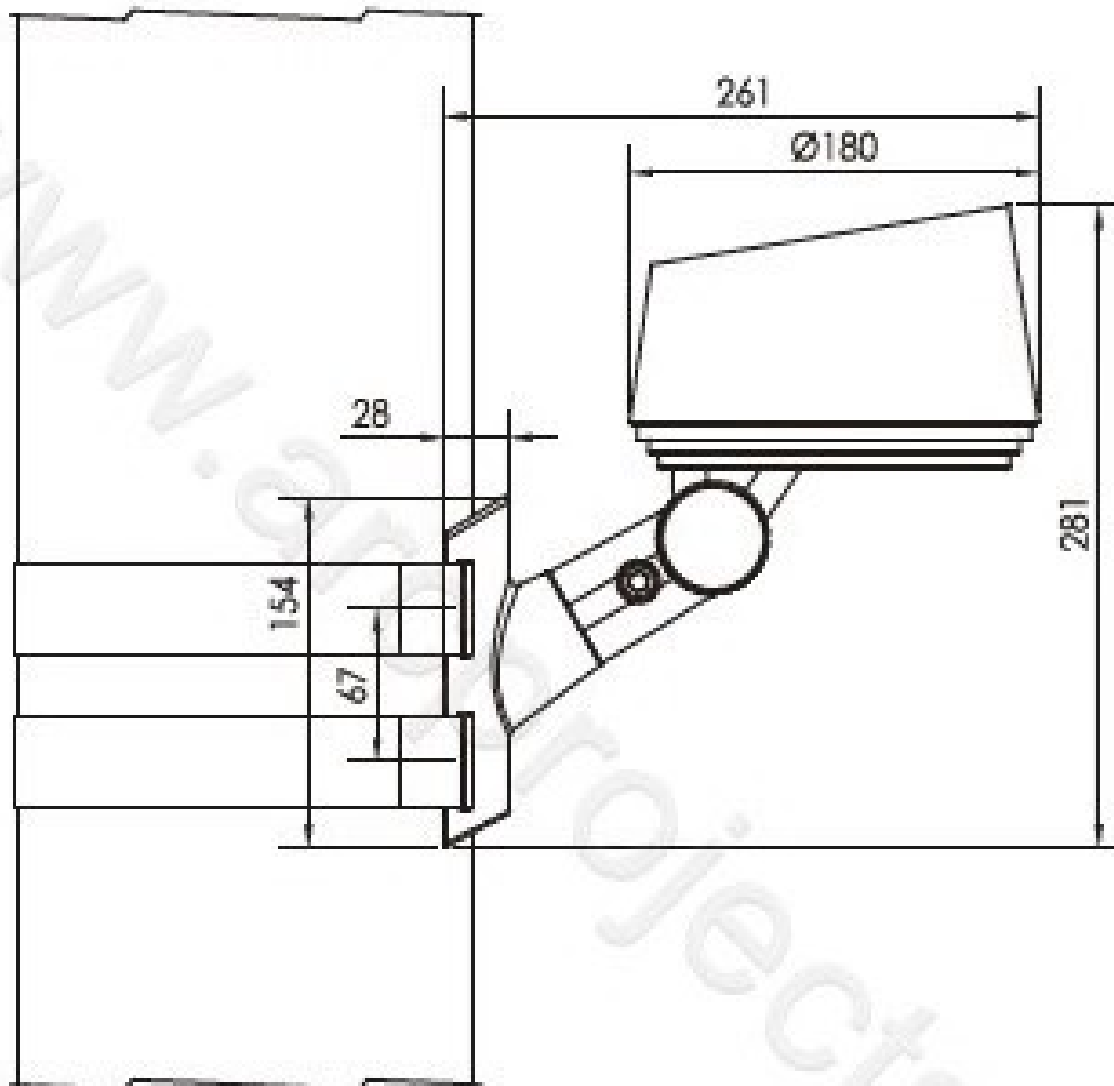
1137F







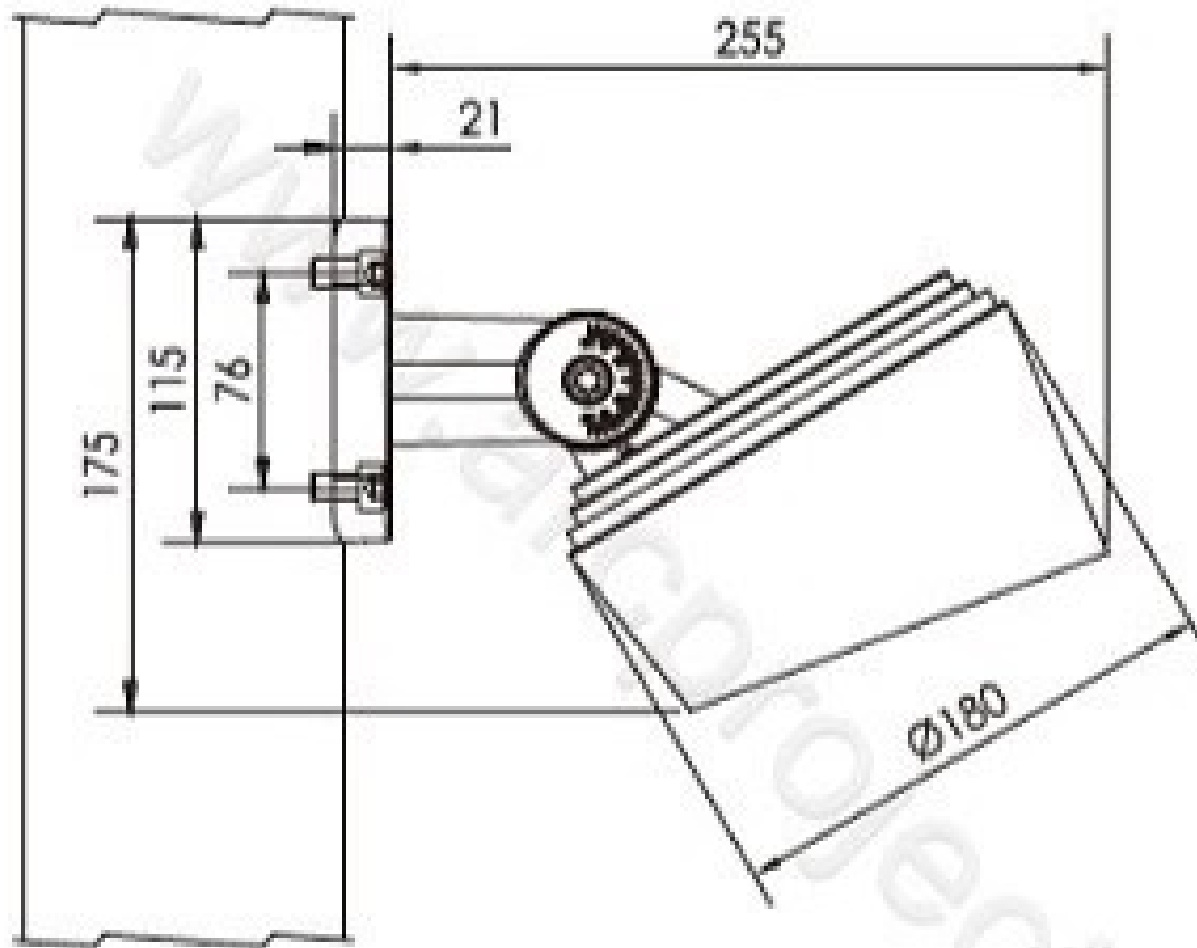
1137H



AVL Dia of pole(168–268)mm



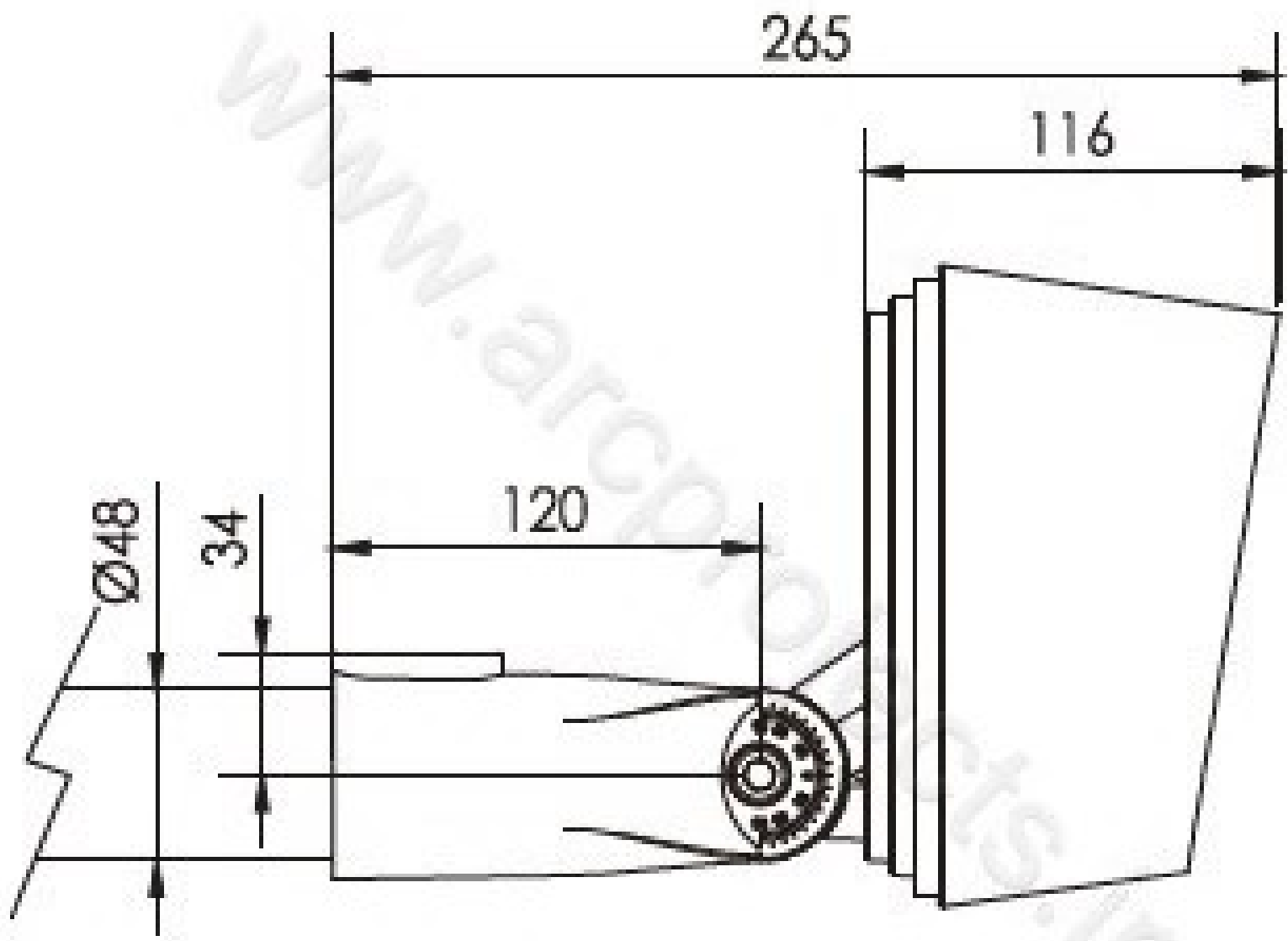
1137L



AVL Dia of pole(67–325)mm $T \geq 4$

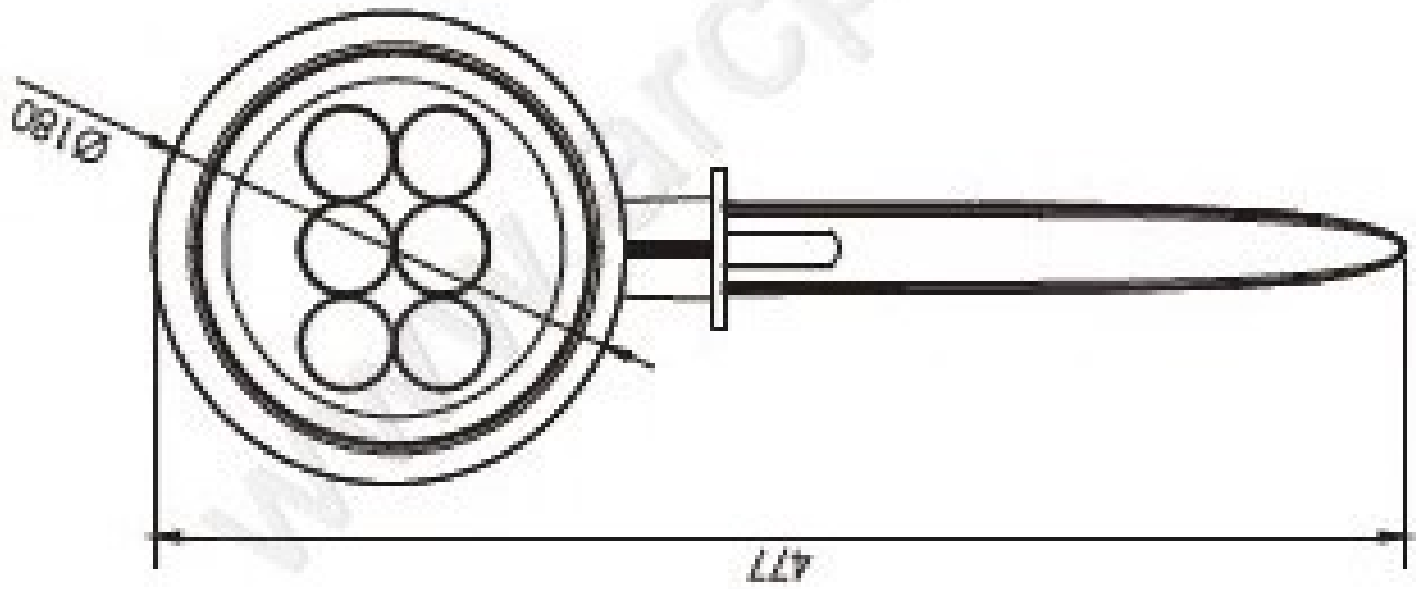
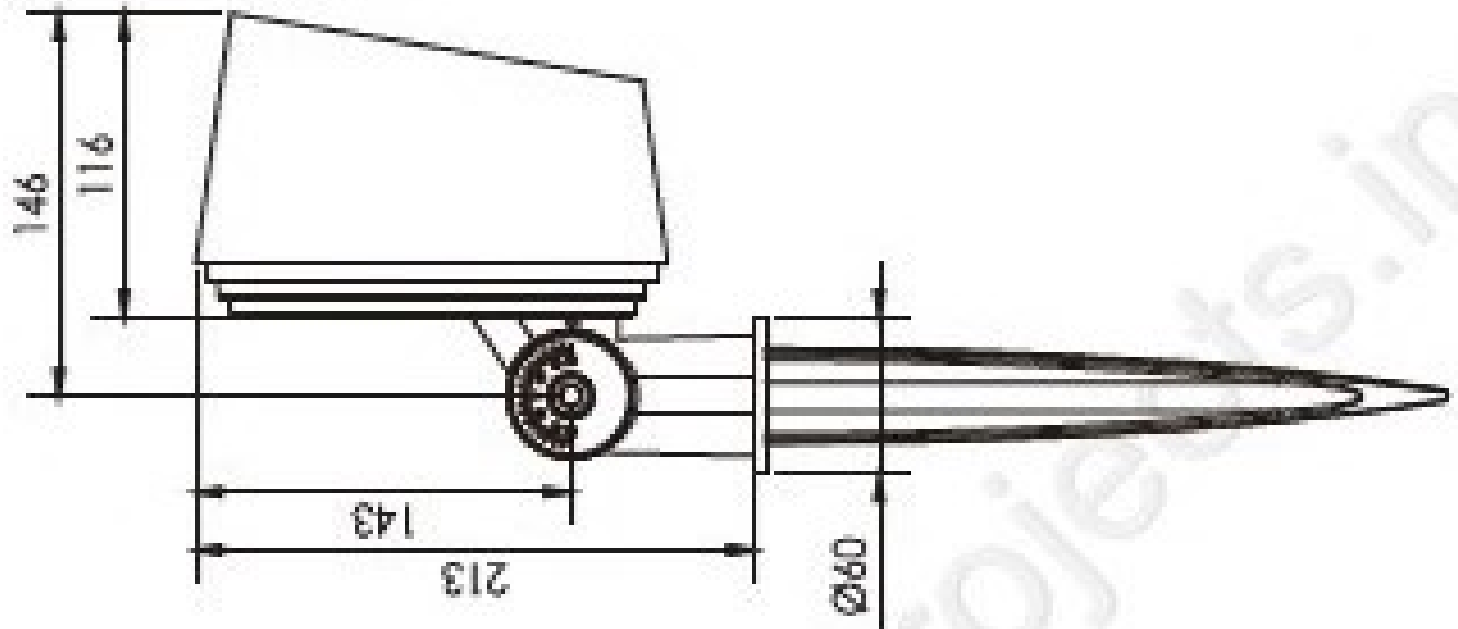


1137M



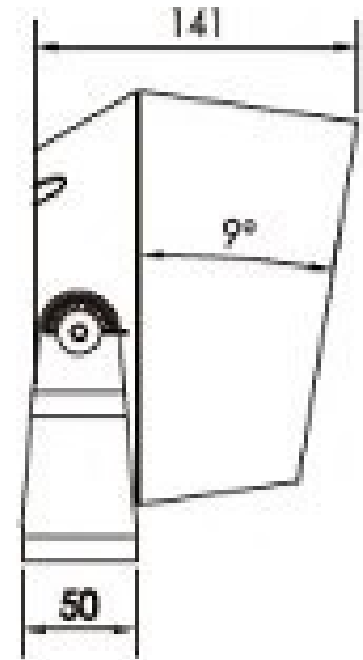
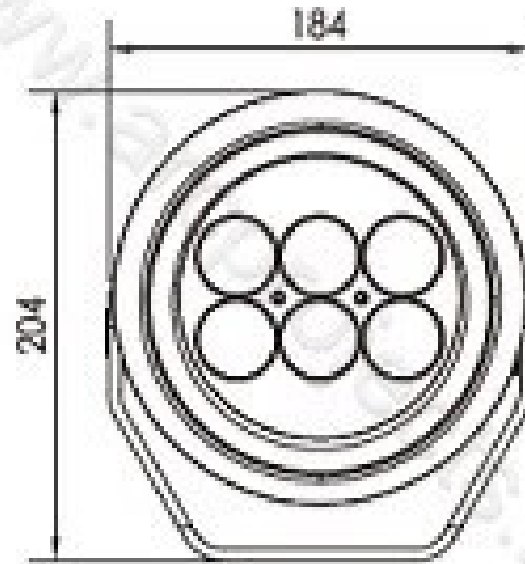
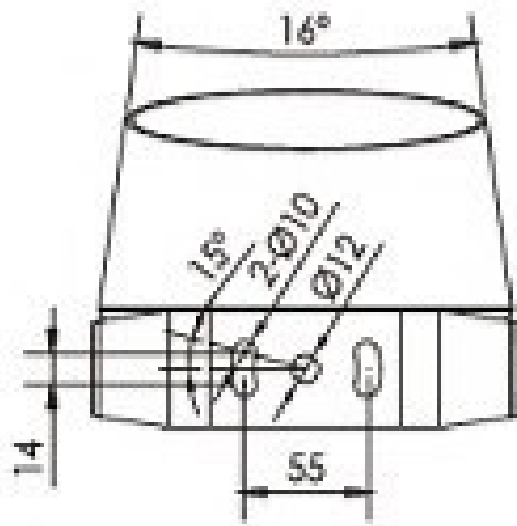


1137S





1137U

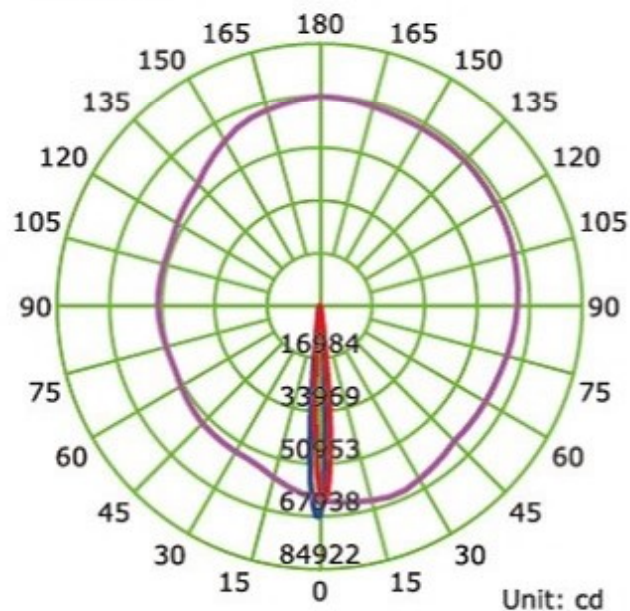


Specification

Product Code	1137FE-6	1137FD-6	1137FF-6	1137FC-18
LED Brand	CREE XP-L	CREE XP-G3	CREE RGBW 4 in 1	CREE XP-E
LED Quantity	6pcs	6pcs	6pcs	18pcs
Rated Power	30W	22W	30W	36W
Input Voltage	AC100-264V	AC100-DC264V	DC24V/AC100-264V	DC24V/AC100-264V
Frequency Range	50/60Hz	50/60Hz	50/60Hz	50/60Hz
Color	Single	Single	RGBW	RGB
Beam Angle	2.6° 3.5° 12° 20° 30° 60° 10X70° 5X20°		20° 30° 15X60°	5° 8° 12.5° 30° 15X60°
Control Mode	CC/DALI/0-10V	CC/DALI/0-10V	DMX512	DMX512
Life	50000H	50000H	50000H	50000H
Protection Grade	IP66	IP66	IP66	IP66
Ambient Temperature	-25℃~50℃	-25℃~50℃	-25℃~50℃	-25℃~50℃
Ambient Humidity	10% ~ 90%	10% ~ 90%	10% ~ 90%	10% ~ 90%

Distribution Curve Flux (SBC Case)

1137FE-6



Average Diffuse Angle(50%): 8.3°

— C0-C180 — C90-C270 — G1

