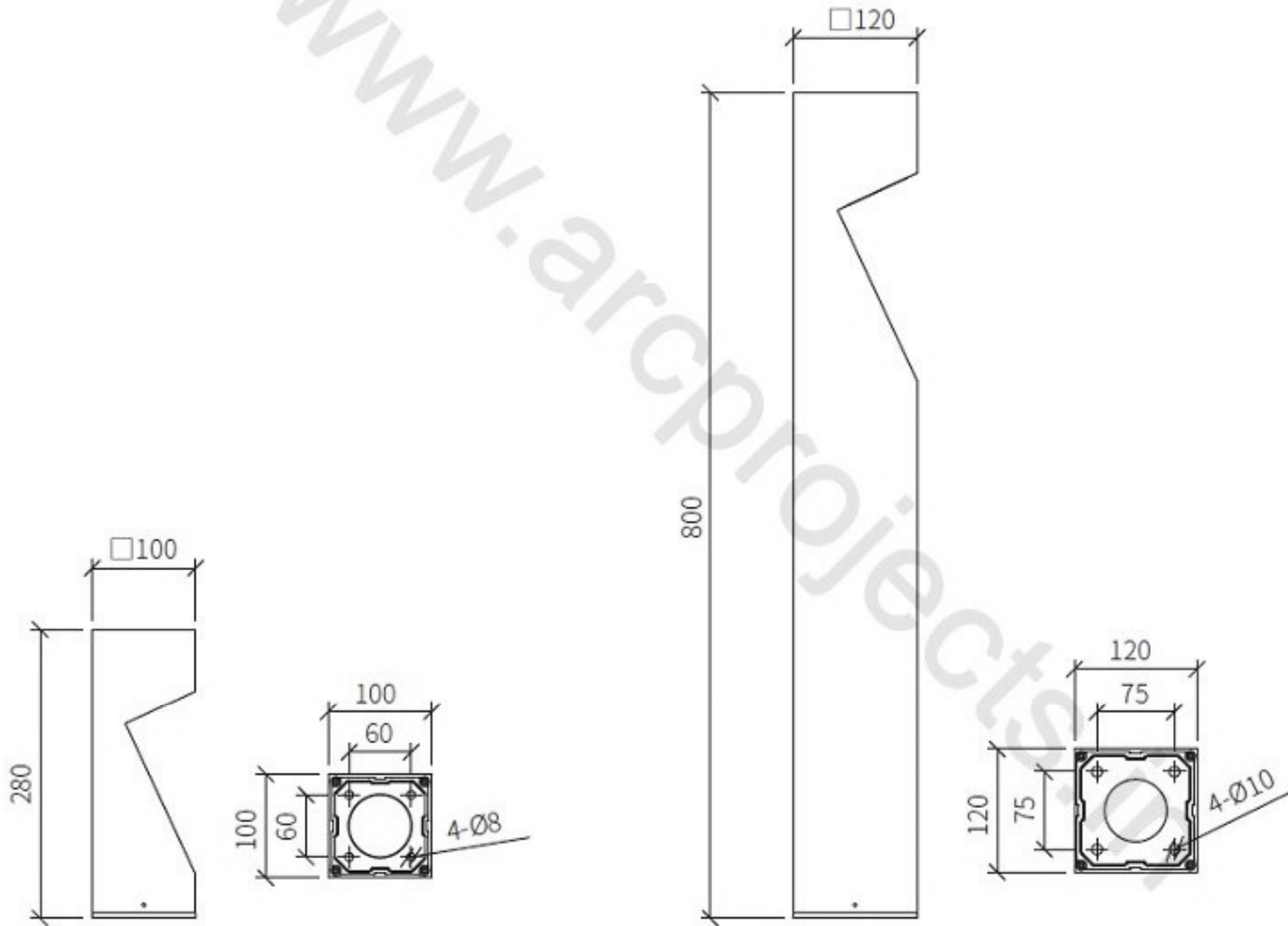


Dimensions

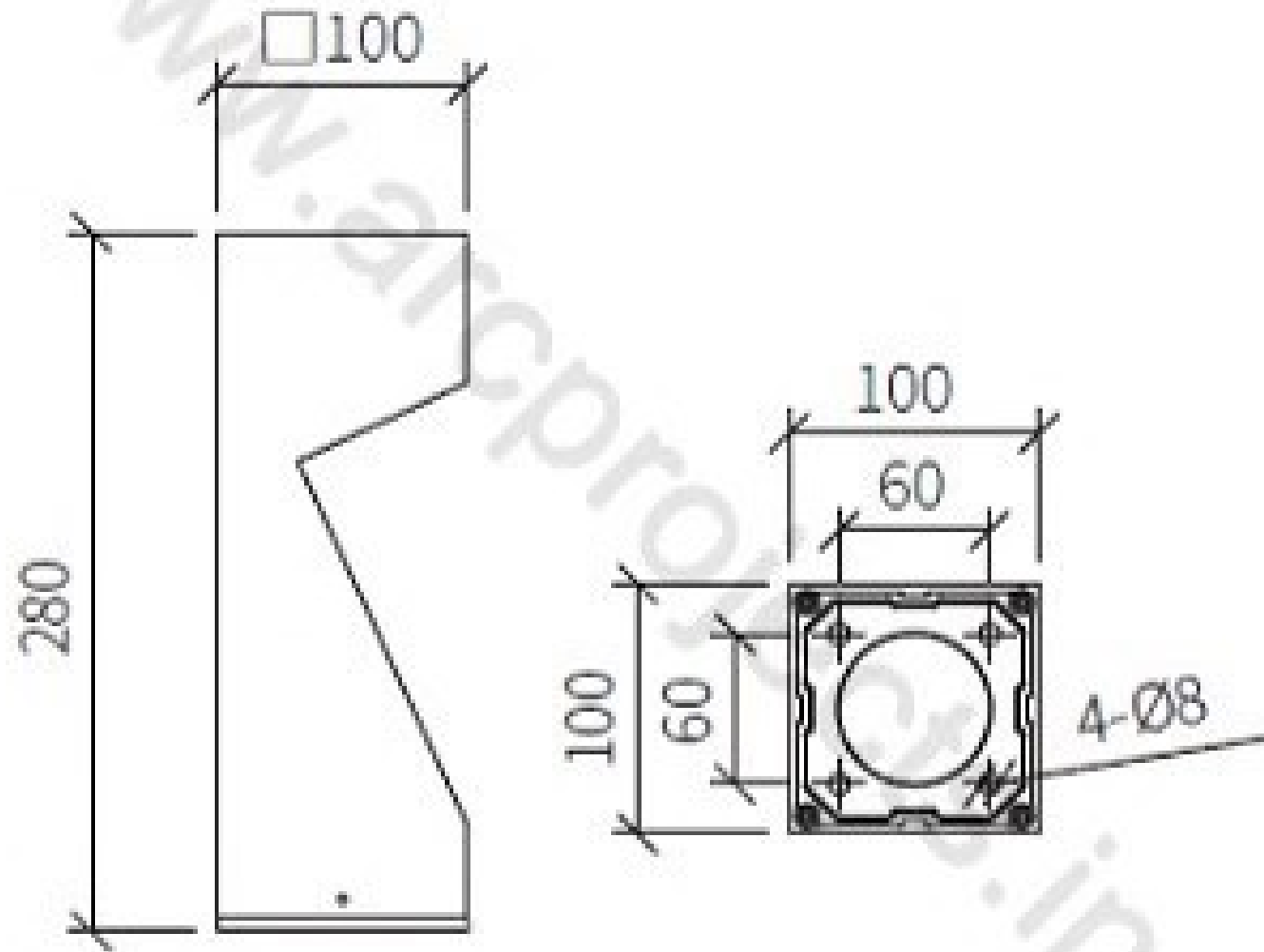




DHB-1104

www.aicpprojects.in

Dimensions



DHB-1104/DHB-1105

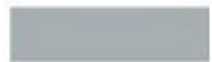
- Body: Made of stainless steel with treatment of corrosion protection and UV-proof powder coating.
- Diffuser: Clear glass
- Gasketing: Made of termostable silica gel to imp protection cass.
- Fastener: 304 stainless steel.



Sand Black



Dark Grey



Sand Silver



Gray Metal Sand Grain

Model NO.	Lamp	Power	Voltage	Color Temperature
DHB-1104	LED	5W	90-260V 50/60Hz	<input checked="" type="checkbox"/> 3000K <input type="checkbox"/> 6000K
DHB-1105	LED	10W		

