

Flood Light Series

1104U



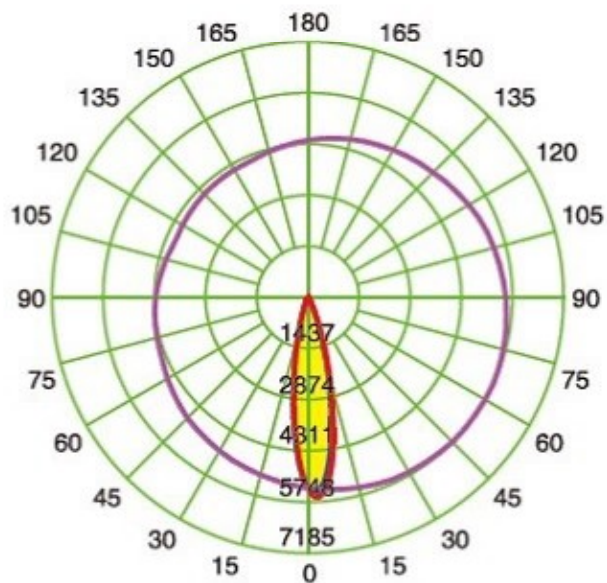
www.zeos.in

Specification

Product Code	1104UB-9	1104UA-9
LED Brand	CREE	CREE
LED Quantity	9pcs	9pcs
Rated Power	20W	11W
Input Voltage	DC12V/AC100-240V	DC12V/AC100-240V
Frequency Range	50/60Hz	50/60Hz
Color	RGB/Single	RGB/Single
Beam Angle	5° 8° 12.5° 20° 30° 45° 60° 15X30° 10X60°	
Control Mode	DMX512/CC	DMX512/CC
Life	50000H	50000H
Protection Grade	IP66	IP66
Ambient Temperature	- 25°C ~ 50°C	- 25°C ~ 50°C
Ambient Humidity	10% ~ 90%	10% ~ 90%

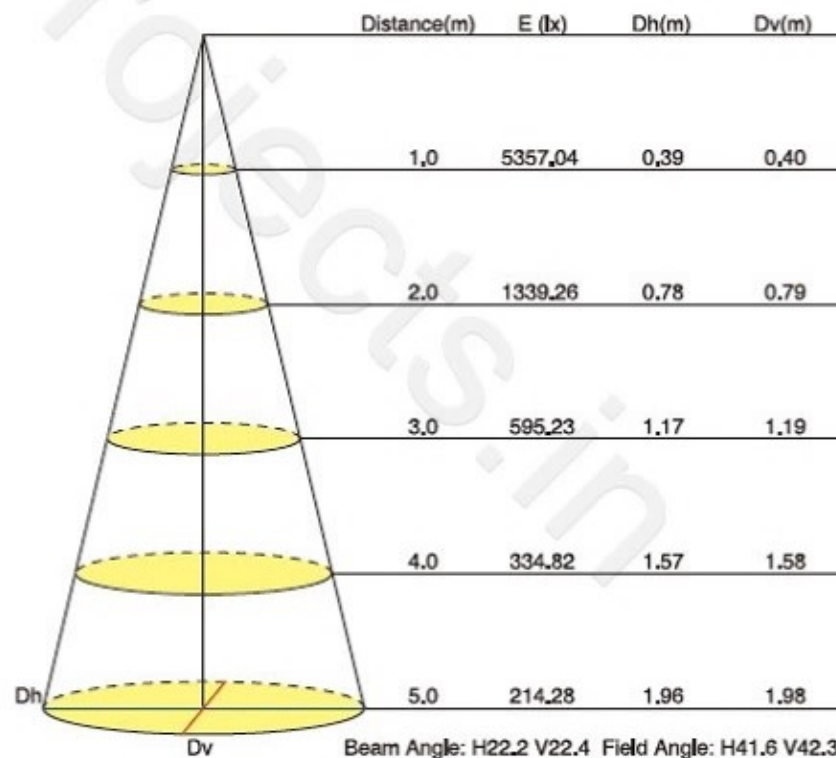
Distribution Curve Flux (SBC Case)

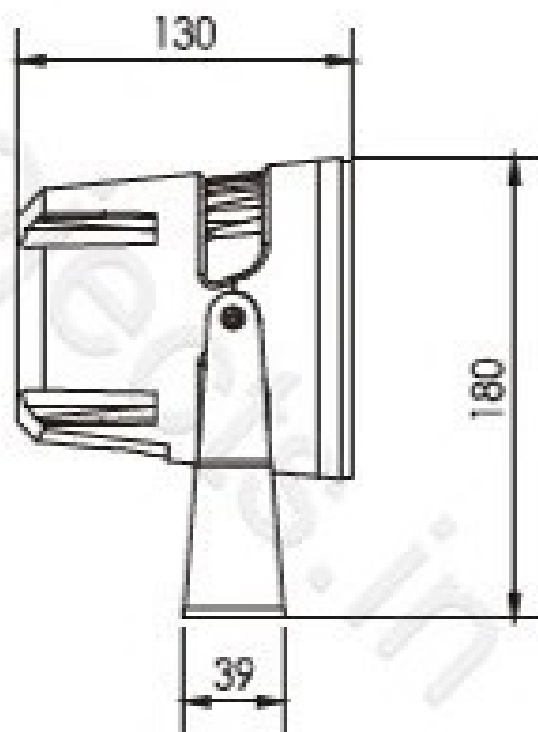
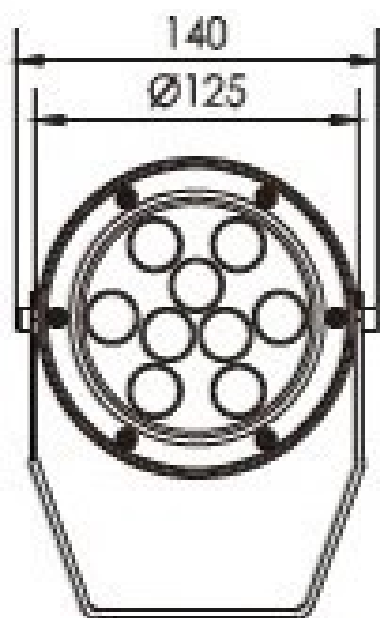
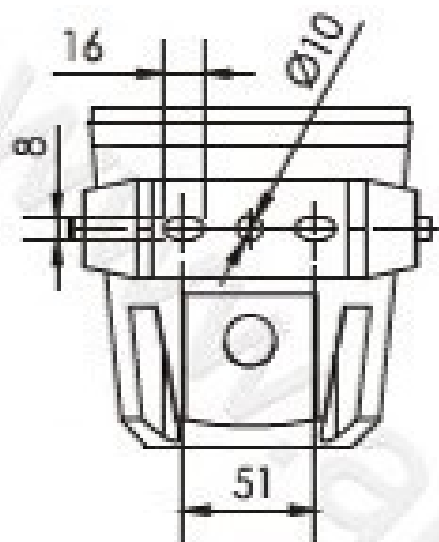
1104UB-9



- C0-C180
- C90-C270
- G4

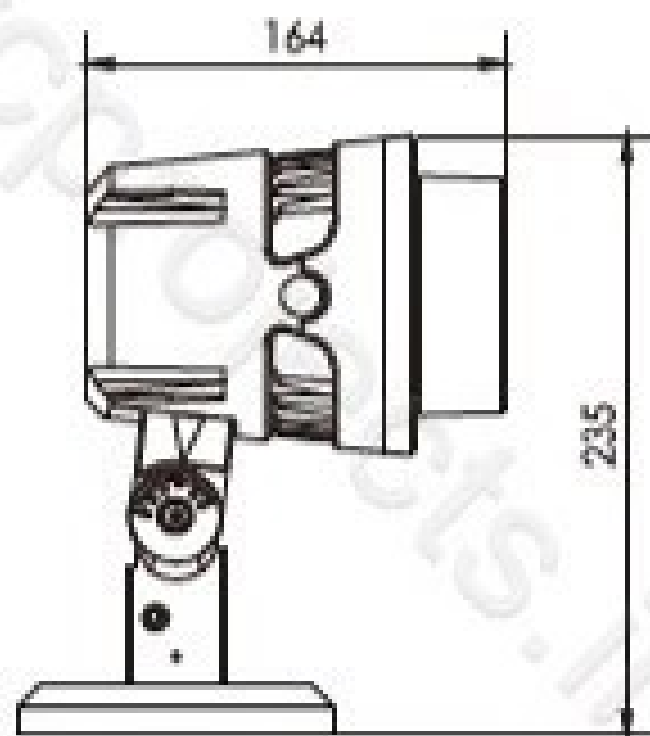
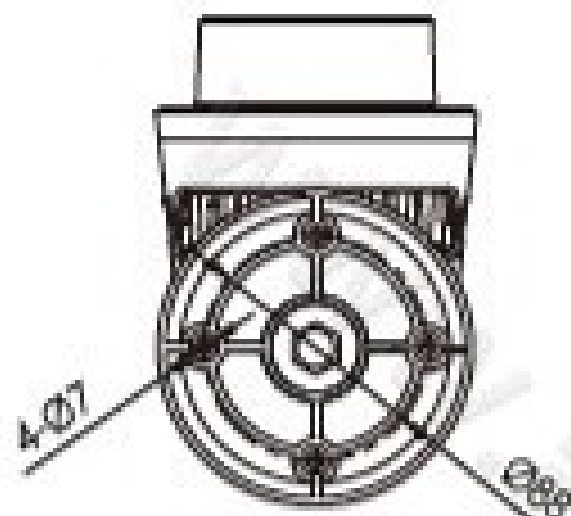
Unit: cd







1104X



Specification

Product Code	1125SC-7	1125SB-6	1125SA-6	1125S-C12
LED Brand	CREE	CREE	CREE	CREE COB
Quantity	7pcs	6pcs	6pcs	1pc
Rated Power	16W	11W	7W	12W
Input Voltage	AC100-240V	AC100-240V	AC100-240V	AC100-240V
Frequency Range	50/60Hz	50/60Hz	50/60Hz	50/60Hz
Color	Single	Single	Single	Single
Beam Angle	5° 8° 12.5° 20° 30° 45° 60° 15X30° 10X60°			15°
Control Model	CC	CC	CC	CC
Life	50000H	50000H	50000H	50000H
Protection Grade	IP66	IP66	IP66	IP66
Ambient Temperature	- 25℃ ~ 50℃	- 25℃ ~ 50℃	- 25℃ ~ 50℃	- 25℃ ~ 50℃
Ambient Humidity	10% ~ 90%	10% ~ 90%	10% ~ 90%	10% ~ 90%

Flood Light Series
1104F

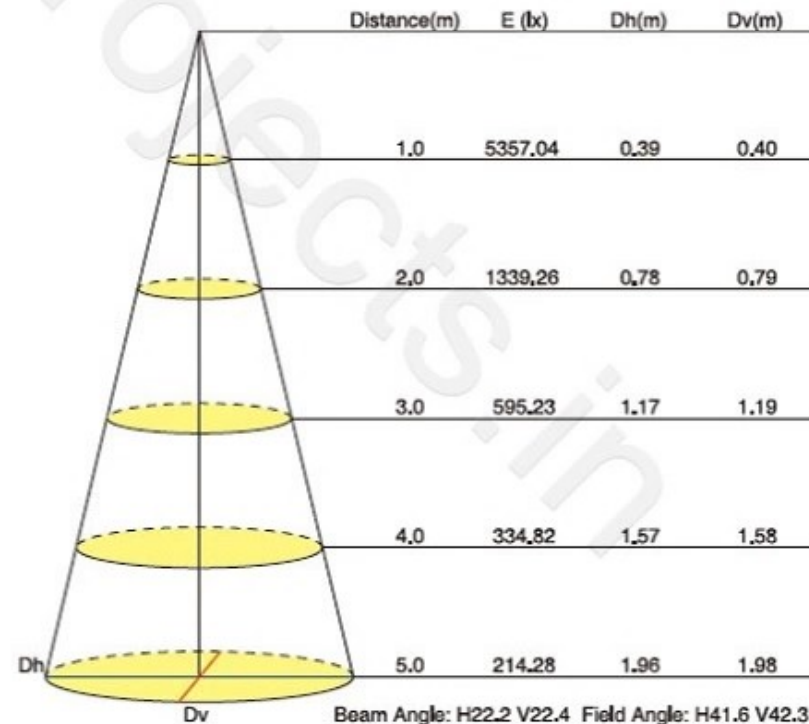
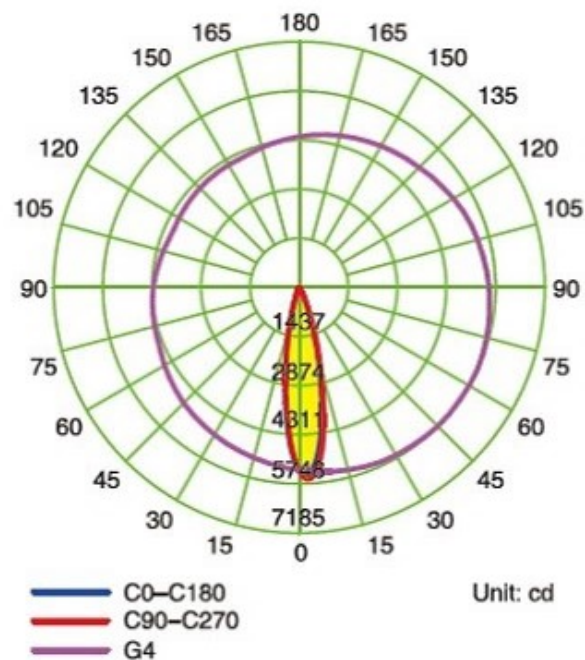


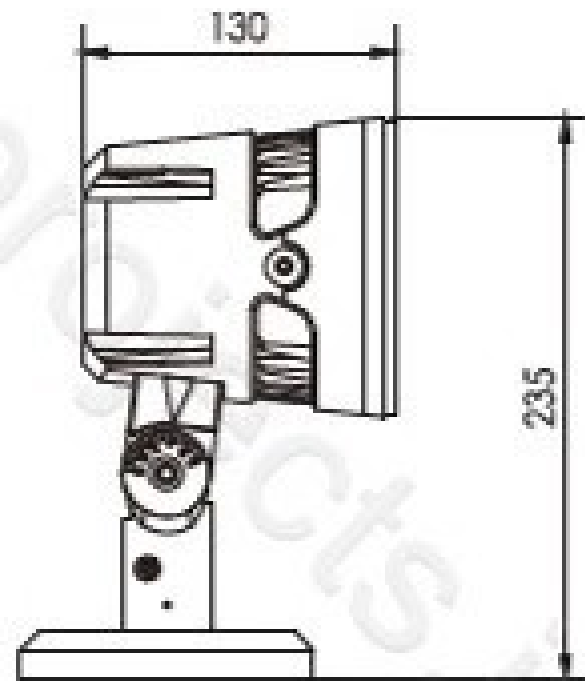
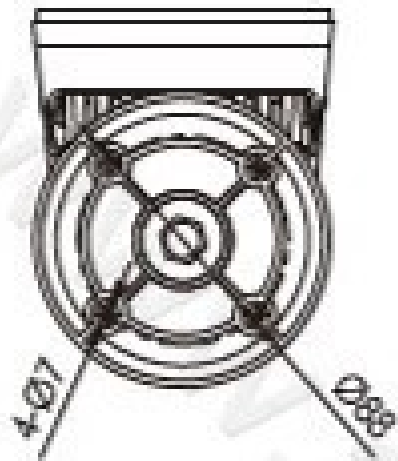
Specification

Product Code	1104FB-9	1104FA-9
LED Brand	CREE	CREE
LED Quantity	9pcs	9pcs
Rated Power	20W	11W
Input Voltage	AC100-240V	AC100-240V
Frequency Range	50/60Hz	50/60Hz
Color	Single	Single
Beam Angle	5° 8° 12.5° 20° 30° 45° 60° 15X30° 10X60°	
Control Mode	CC	CC
Life	50000H	50000H
Protection Grade	IP66	IP66
Ambient Temperature	- 25℃ - 50℃	- 25℃ - 50℃
Ambient Humidity	10% - 90%	10% - 90%

Distribution Curve Flux (SBC Case)

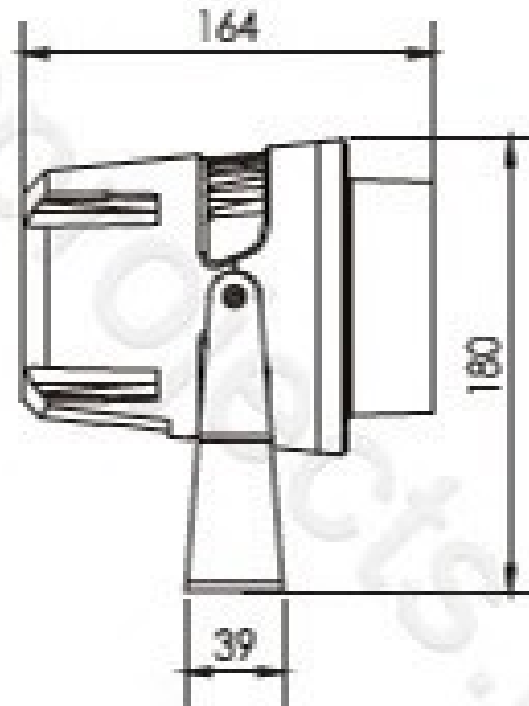
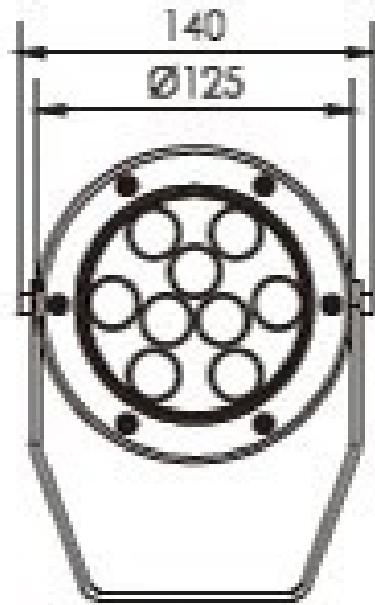
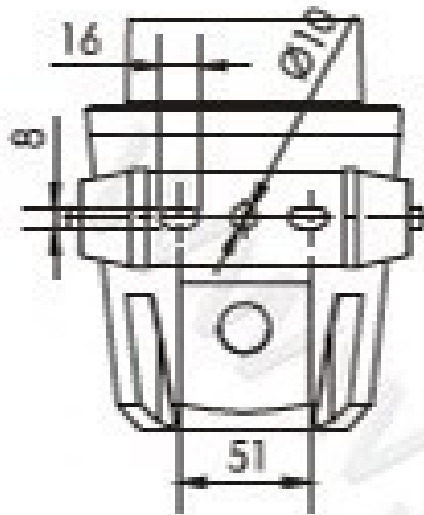
1104FB-9





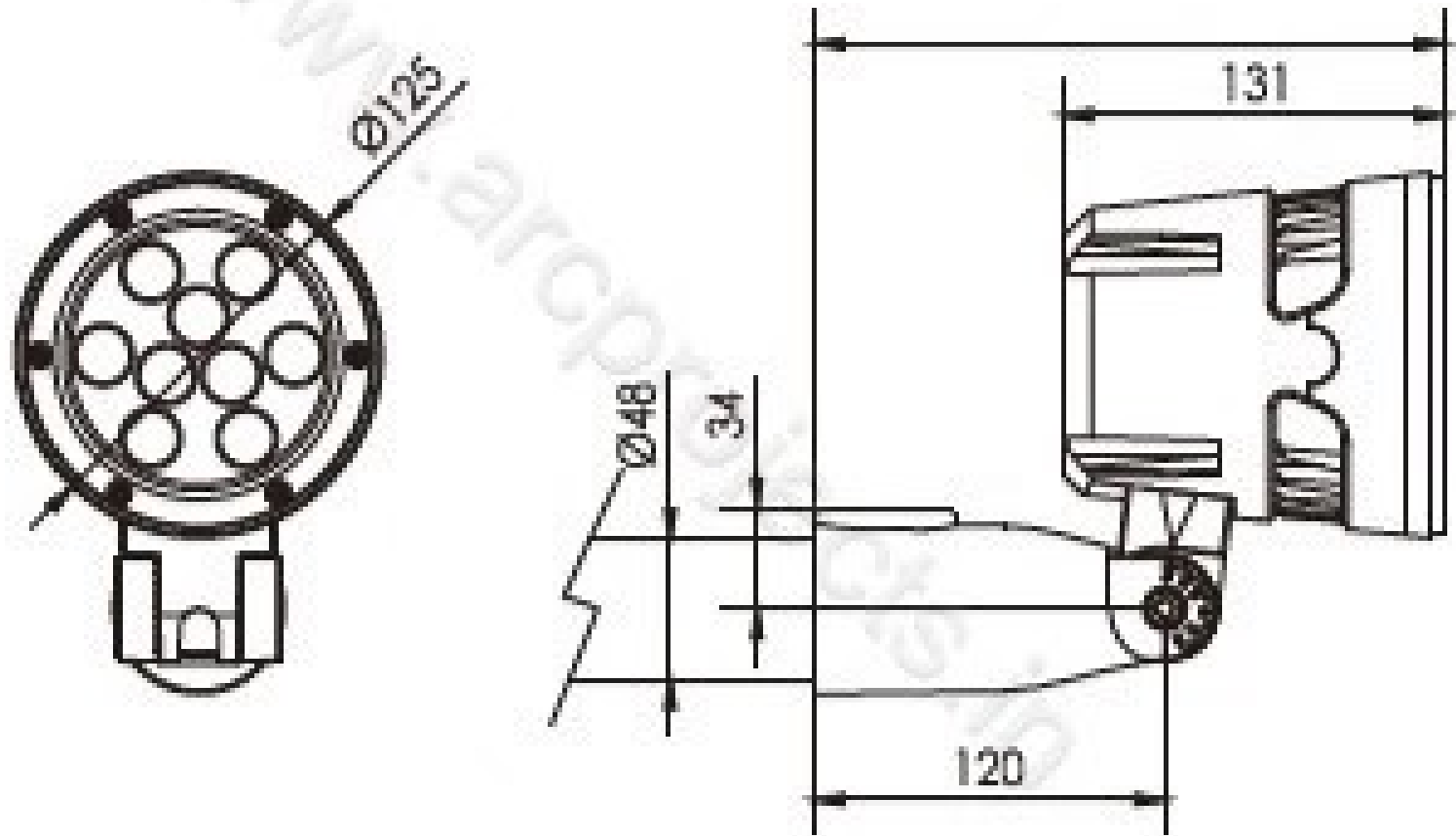


1104G





1104M



Flood Light Series

1104S

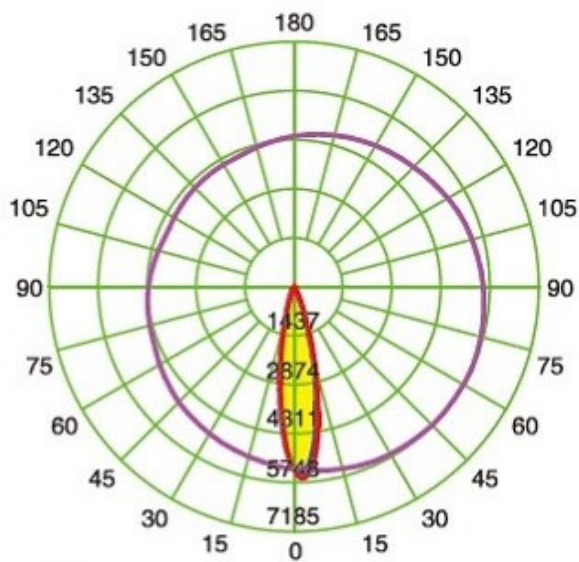


Specification

Product Code	1104SB-9	1104SA-9
LED Brand	CREE	CREE
LED Quantity	9pcs	9pcs
Rated Power	20W	11W
Input Voltage	AC100-240V	AC100-240V
Frequency Range	50/60Hz	50/60Hz
Color	Single	Single
Beam Angle	5° 8° 12.5° 20° 30° 45° 60° 15X30° 10X60°	
Control Mode	CC	CC
Life	50000H	50000H
Protection Grade	IP66	IP66
Ambient Temperature	-25°C ~ 50°C	-25°C ~ 50°C
Ambient Humidity	10% ~ 90%	10% ~ 90%

Distribution Curve Flux (SBC Case)

1104SB-9



- C0-C180
- C90-C270
- G4

Unit: cd



