

DHB-1134/DHB-1135

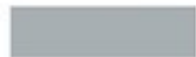
- Body: Made of aluminum with treatment of corrosion protection and UV-proof powder coating.
- Diffuser: PMMA
- Gasketing: Made of thermostable silica gel to impromtection cass.
- Fastener: 304 stainless steel.



Sand Black



Dark Grey



Sand Silver



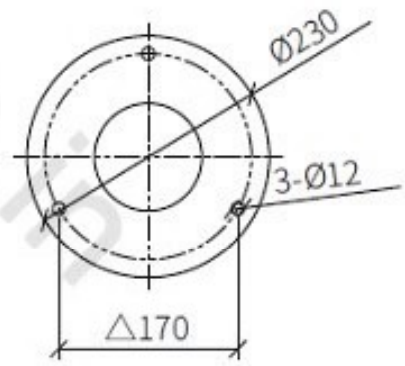
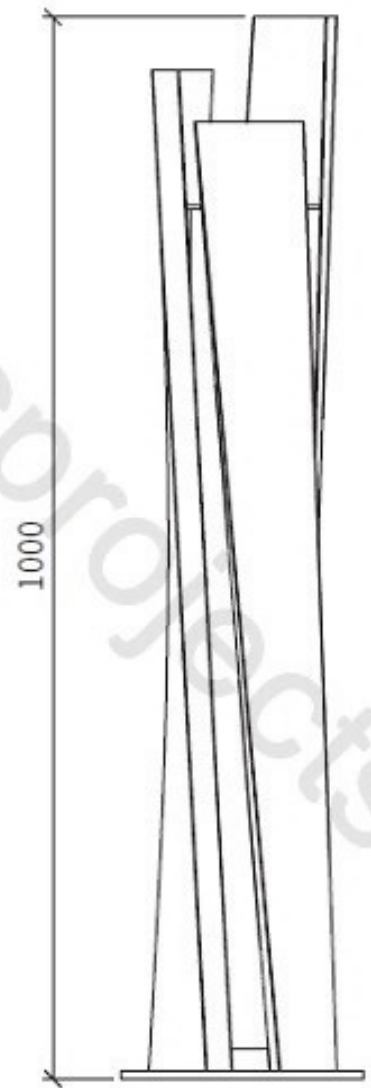
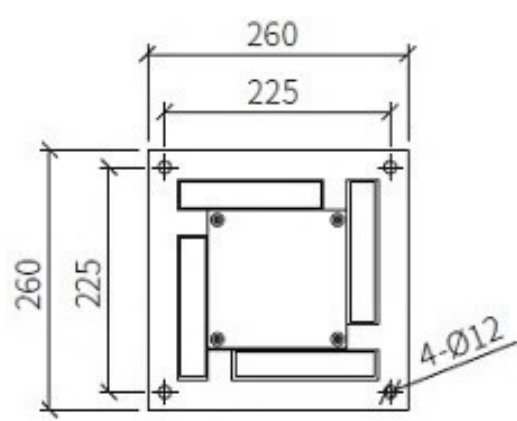
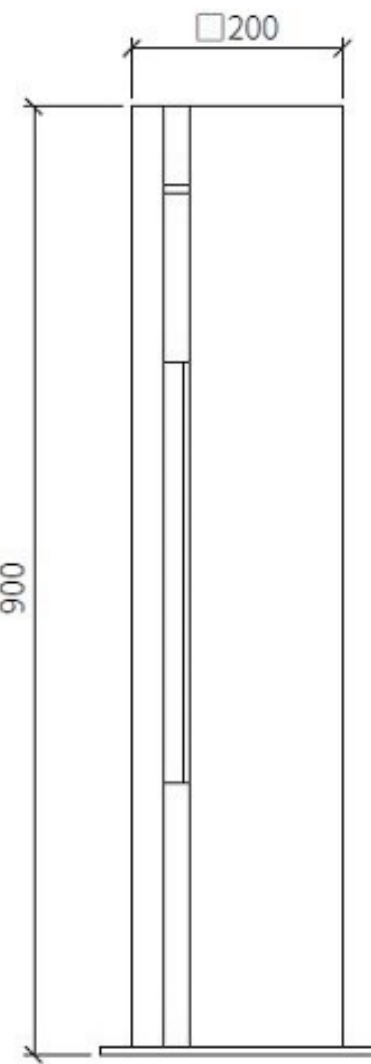
Gray Metal Sand Grain

www.arcprojects.in

Model NO.	Lamp	Power	Voltage	Color Temperature
DHB-1134	LED	10W	90-260V 50/60Hz	<input checked="" type="checkbox"/> 3000K <input type="checkbox"/> 6000K
DHB-1135	LED	20W		



Dimensions









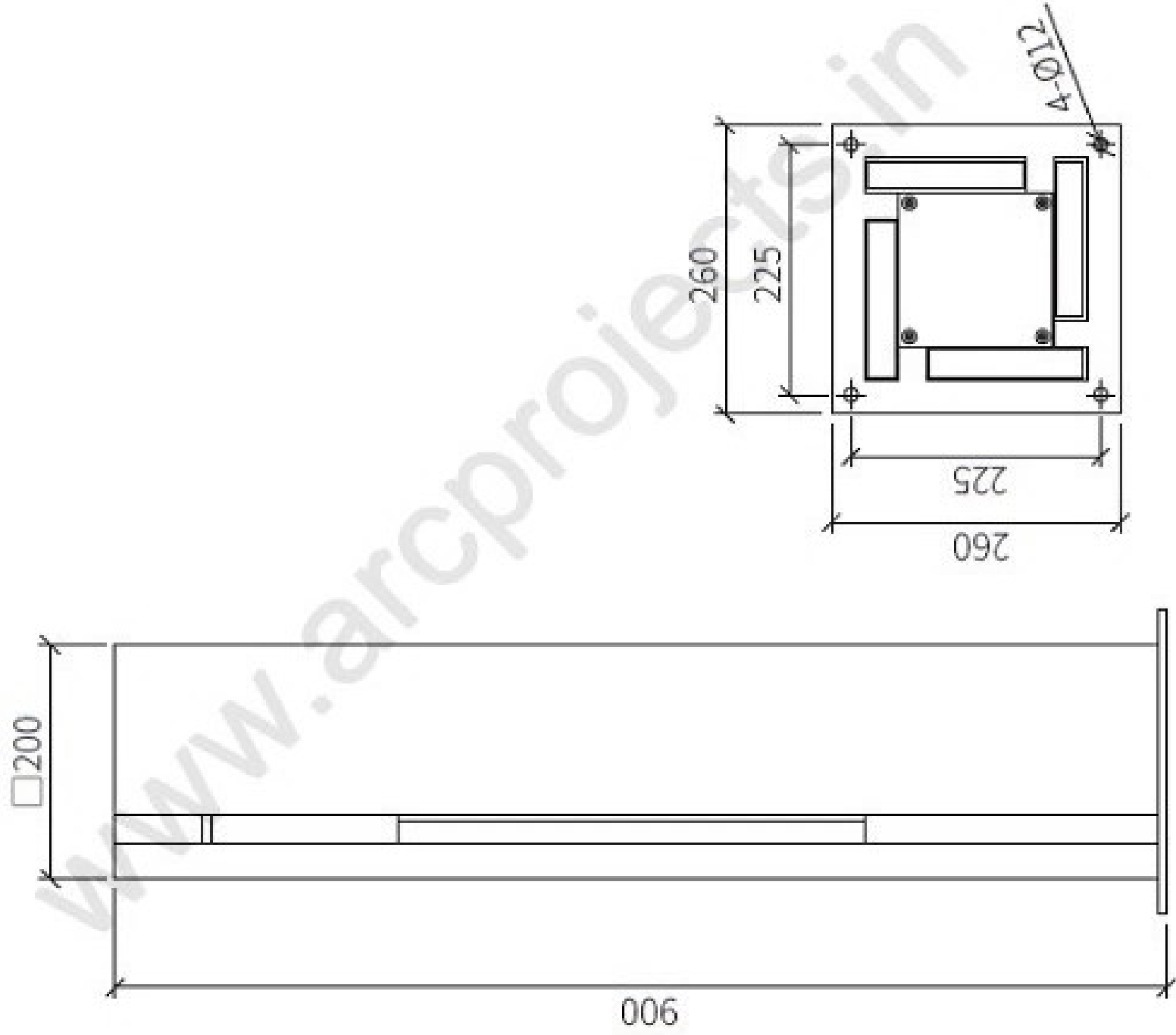
DHB-1134



www.aicprojects.in

DHB-1135

Dimensions



Dimensions

