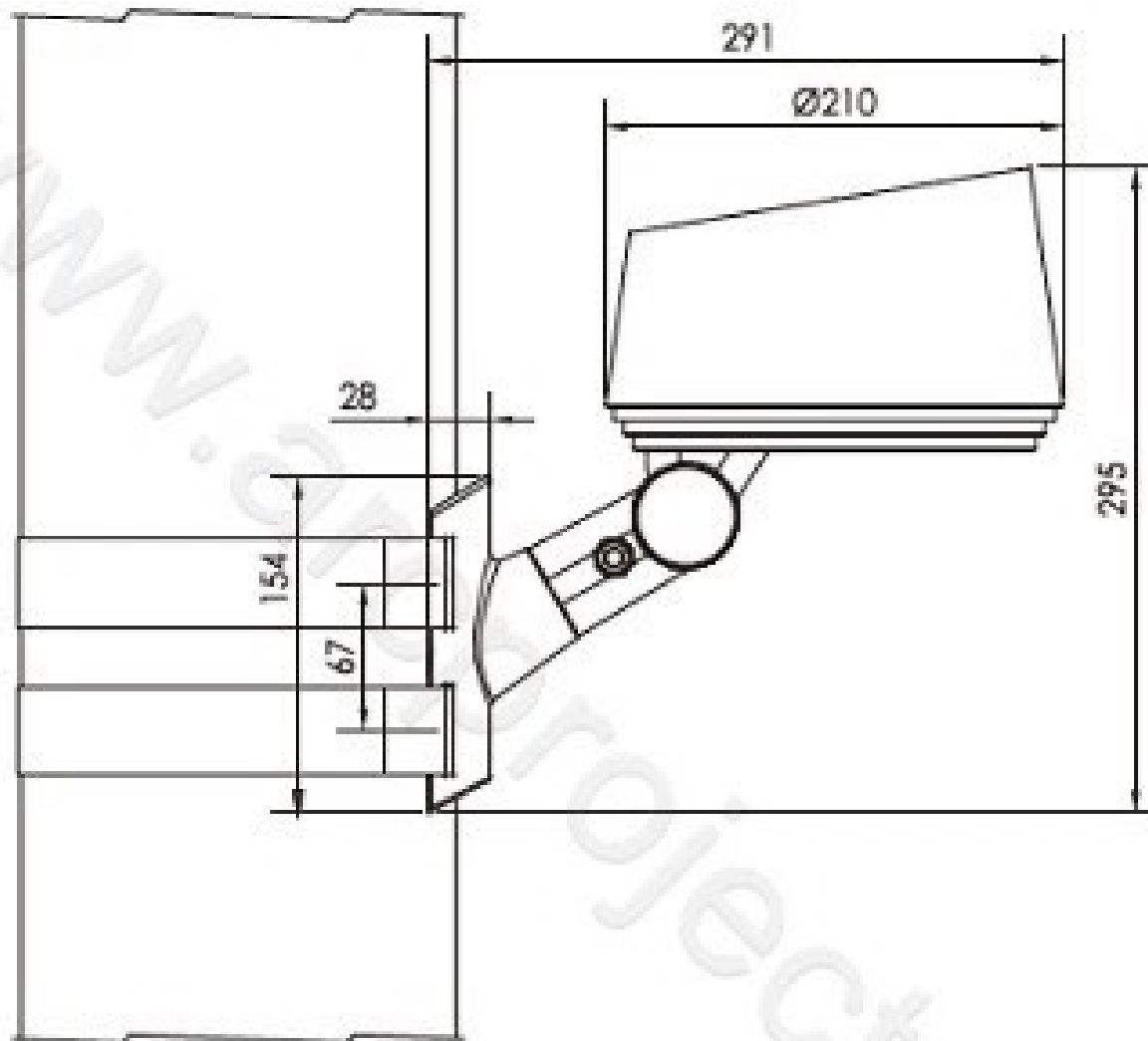


Flood Light Series

1136F





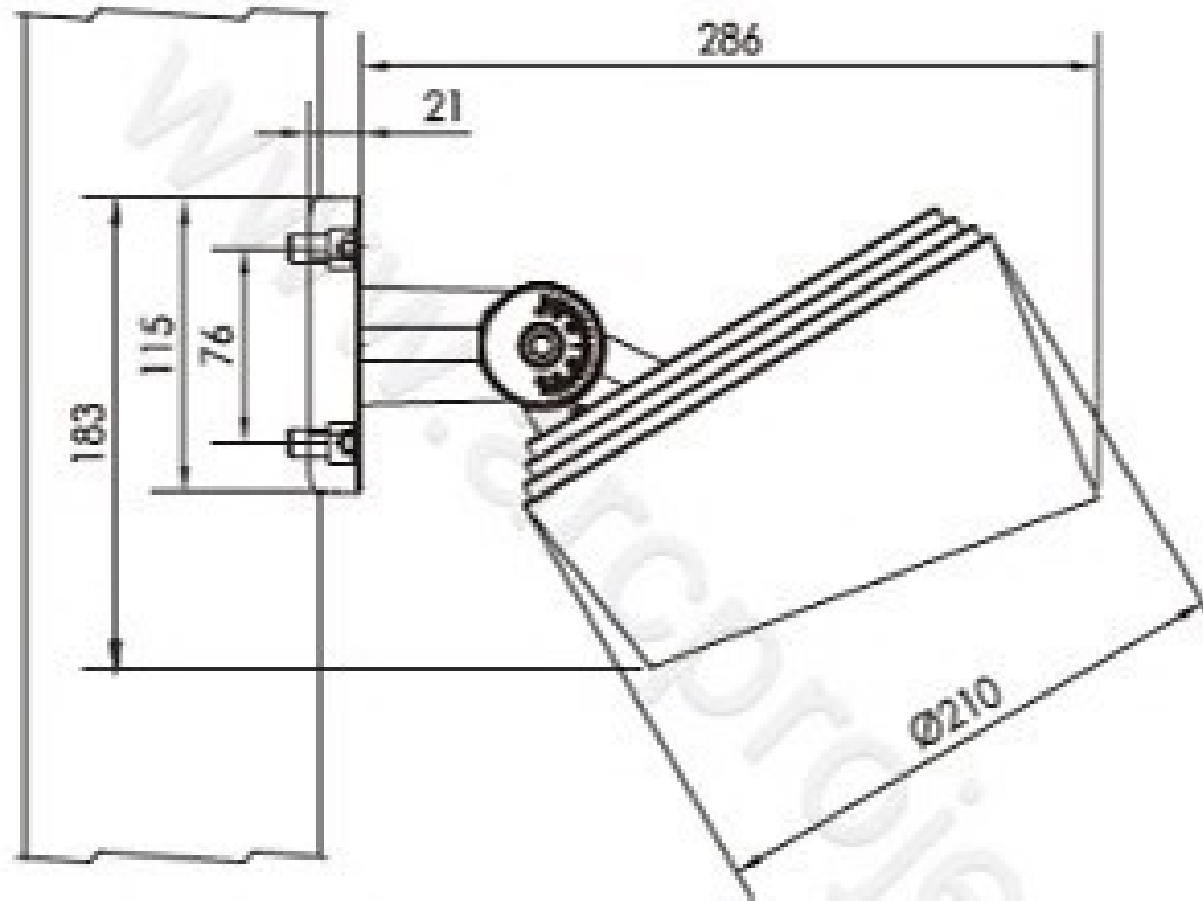
AVL Dia of pole(168–268)mm



1136L

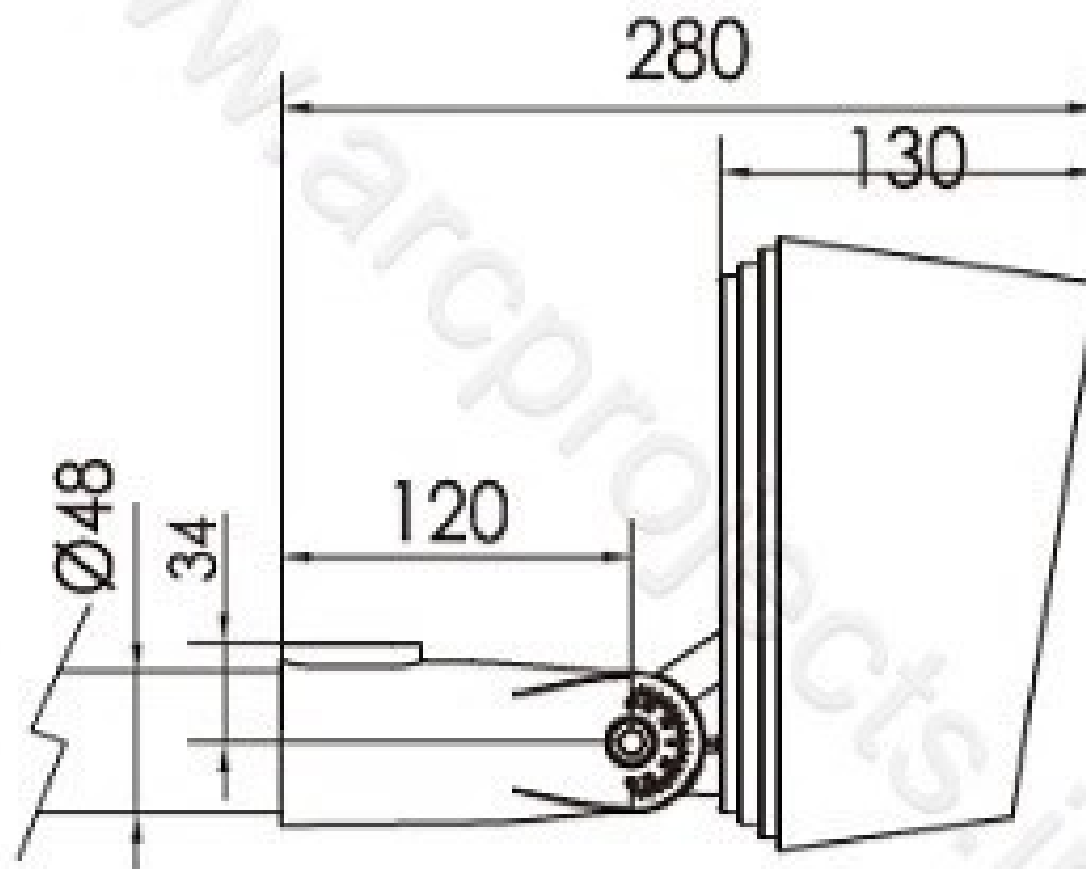


1136H



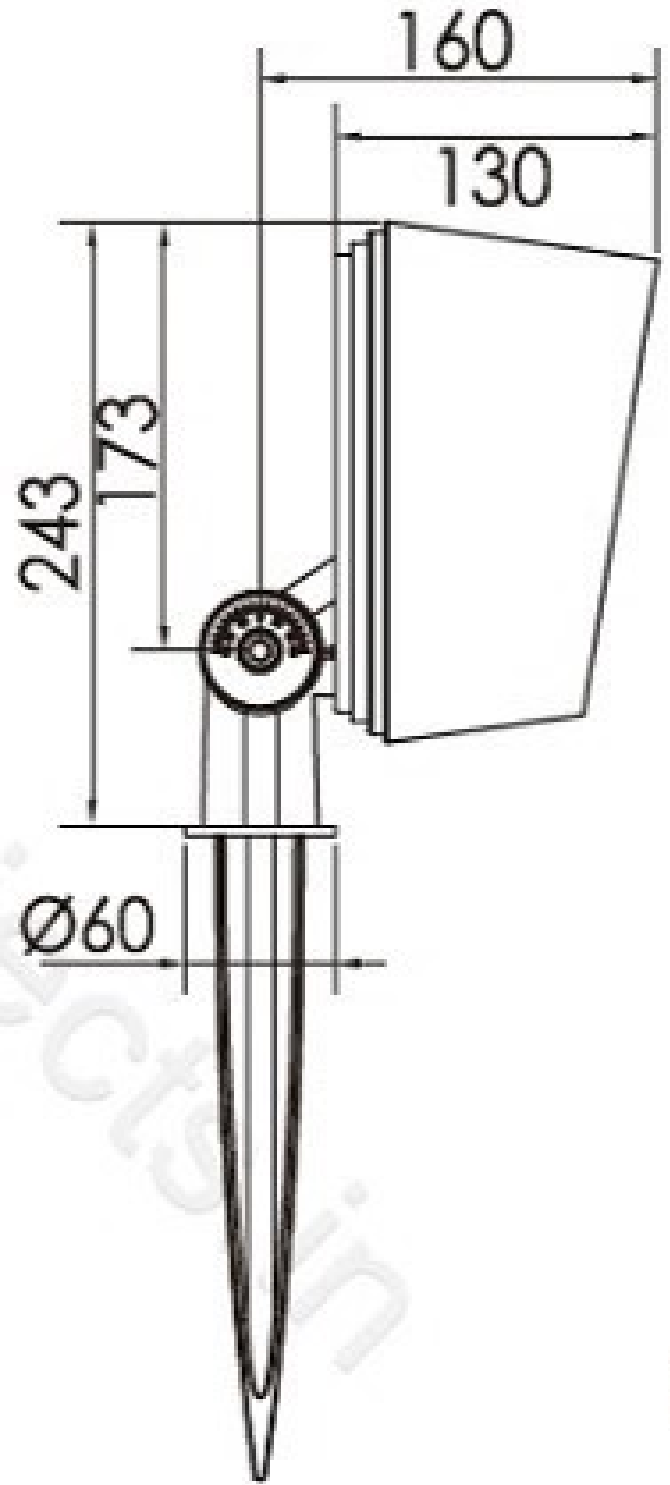
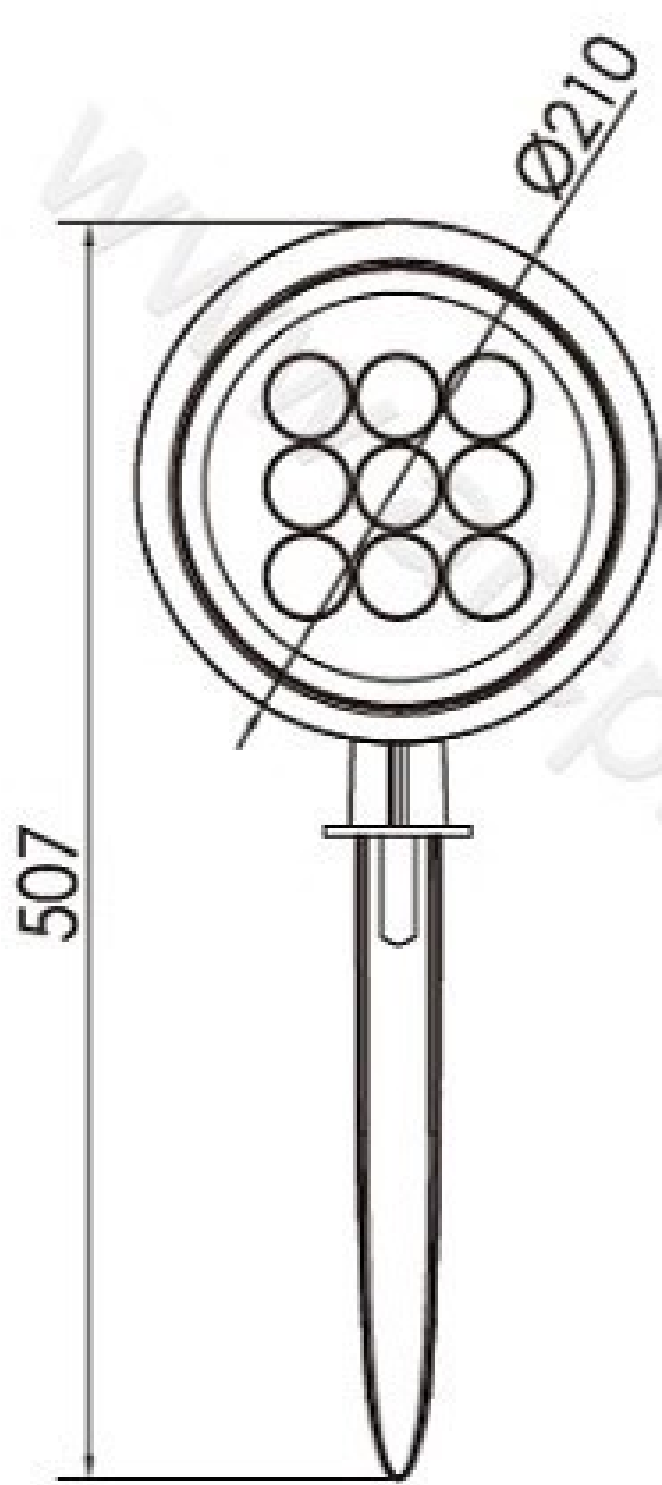
AVL Dia of pole(67–325)mm $T \geq 4$

1136M

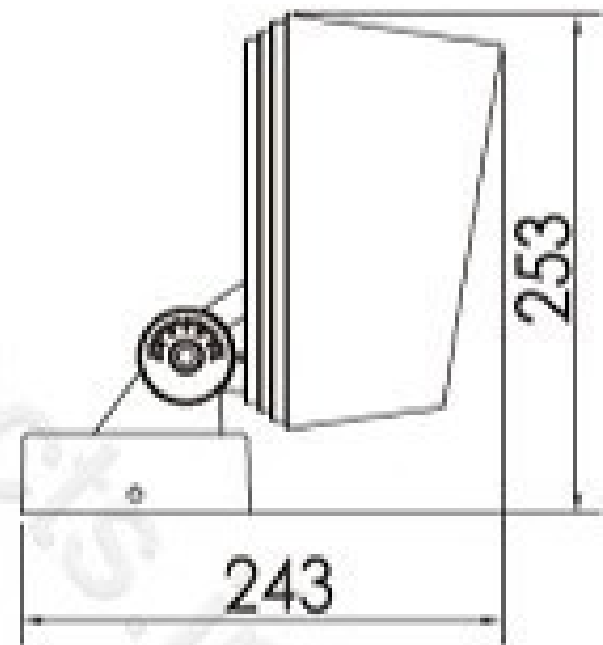
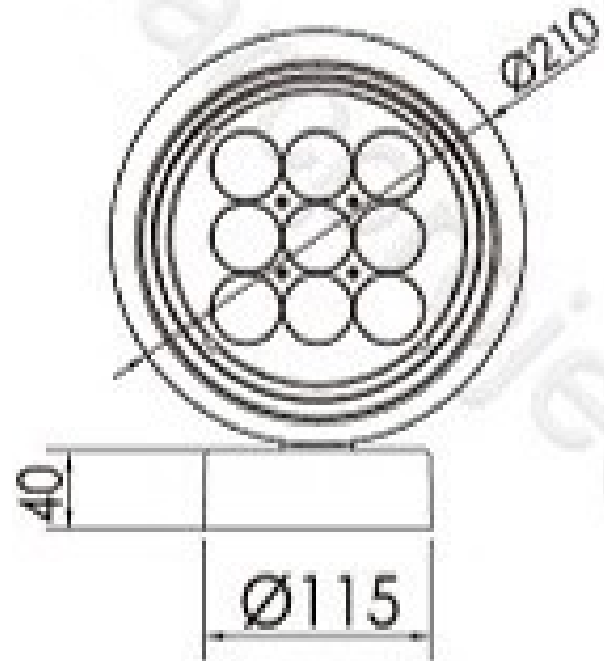
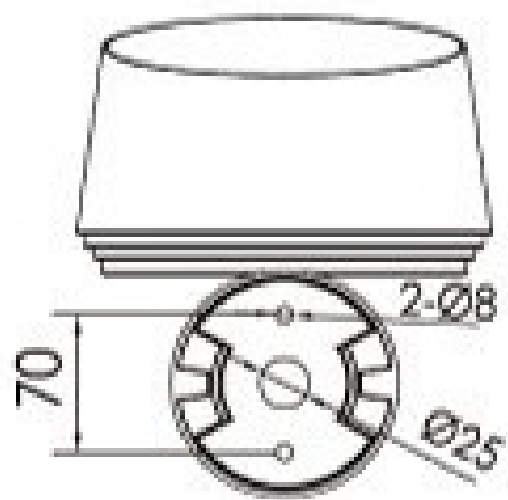




1136S

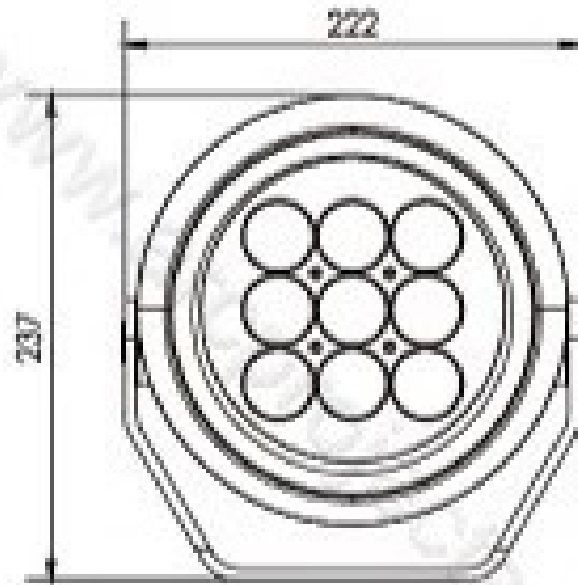
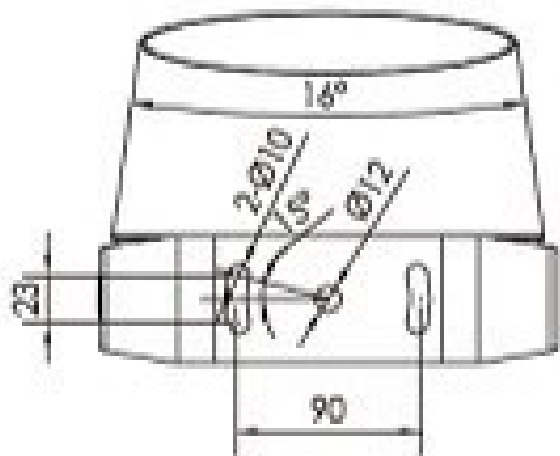


www.e





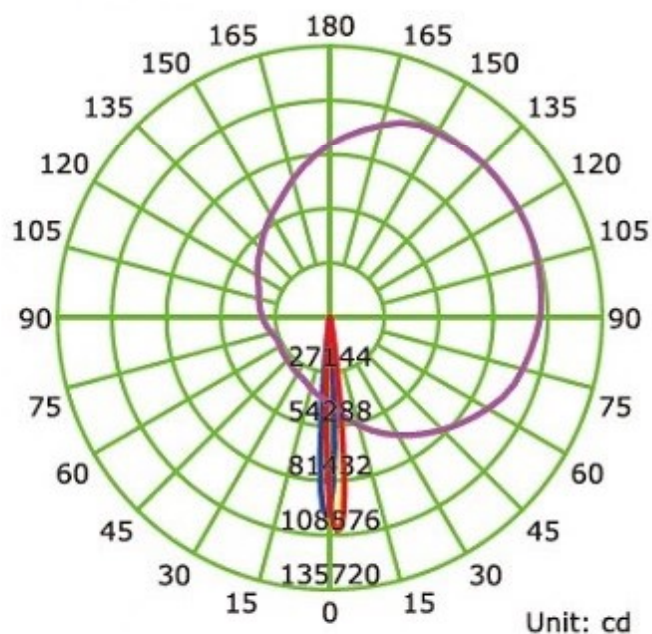
.1136U



Product Code	1136FE-9	1136FD-9	1136FF-9	1136FC-27
Led Brand	CREE XP-L	CREE XP-G3	CREE RGBW 4 in1	CREE XP-E2
Led Quantity	9pcs	9pcs	9pcs	30pcs
Rared Power	45W	35W	60W	60W
Input Voltage	AC100-264V	AC100-264V	DC36V / AC100-305V	
Frequency Range	50/60Hz	50/60Hz	50/60Hz	50/60Hz
Color	Single	Single	RGBW	RGB
Beam Angle	2,6° 3,5° 12° 20° 30° 60° 10X70° 5X20°		20° 30° 15X60°	5° 8° 12,5° 30° 15X60°
Control Mode	CC/DALI/0-10V	CC/DALI/0-10V	DMX512/RDM	DMX512/RDM
Life	50000H	50000H	50000H	50000H
Protection Grade	IP66	IP66	IP66	IP66
Ambient Temperature	-25℃~50℃	-25℃~50℃	-25℃~50℃	-25℃~50℃
Ambient Humidity	10%~90%	10%~90%	10%~90%	10%~90%

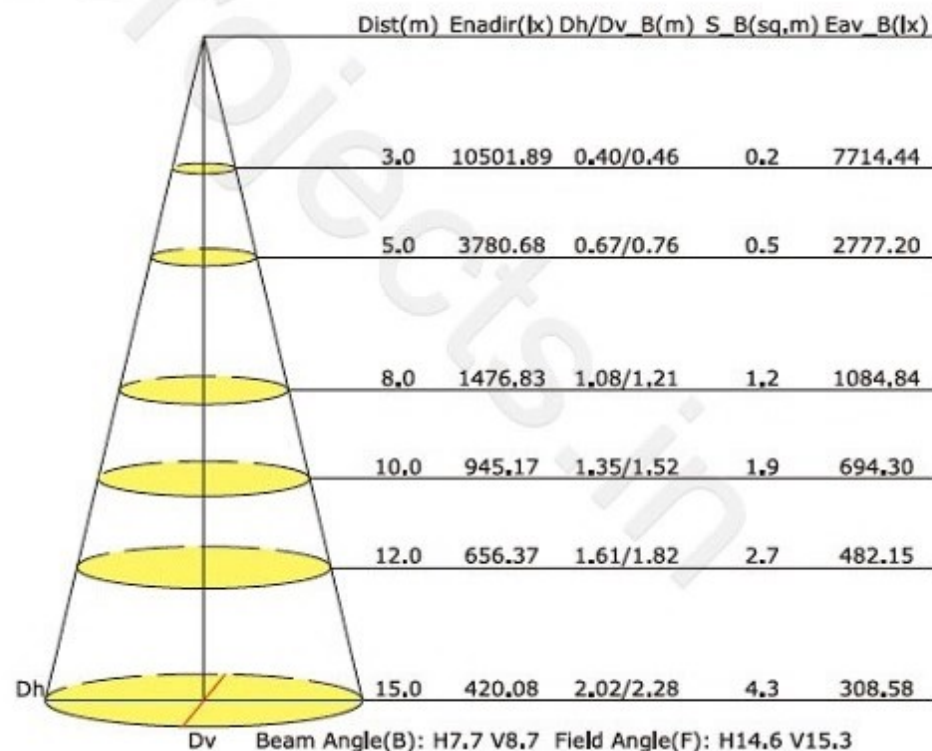
Distribution Curve Flux (SBC Case)

1136FE-9



Average Diffuse Angle(50%): 8.2°

— C0-C180 — C90-C270 — G3





1136M