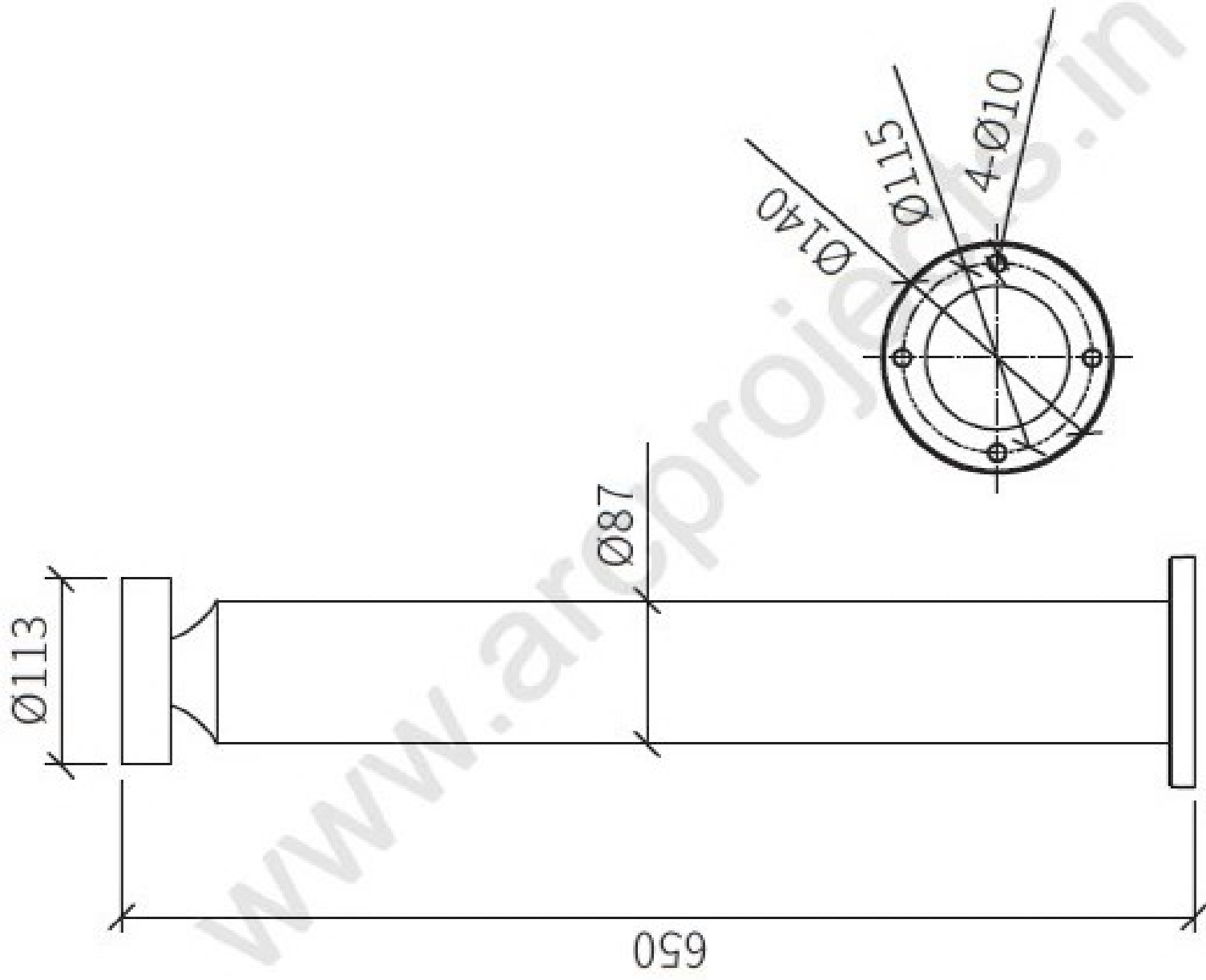
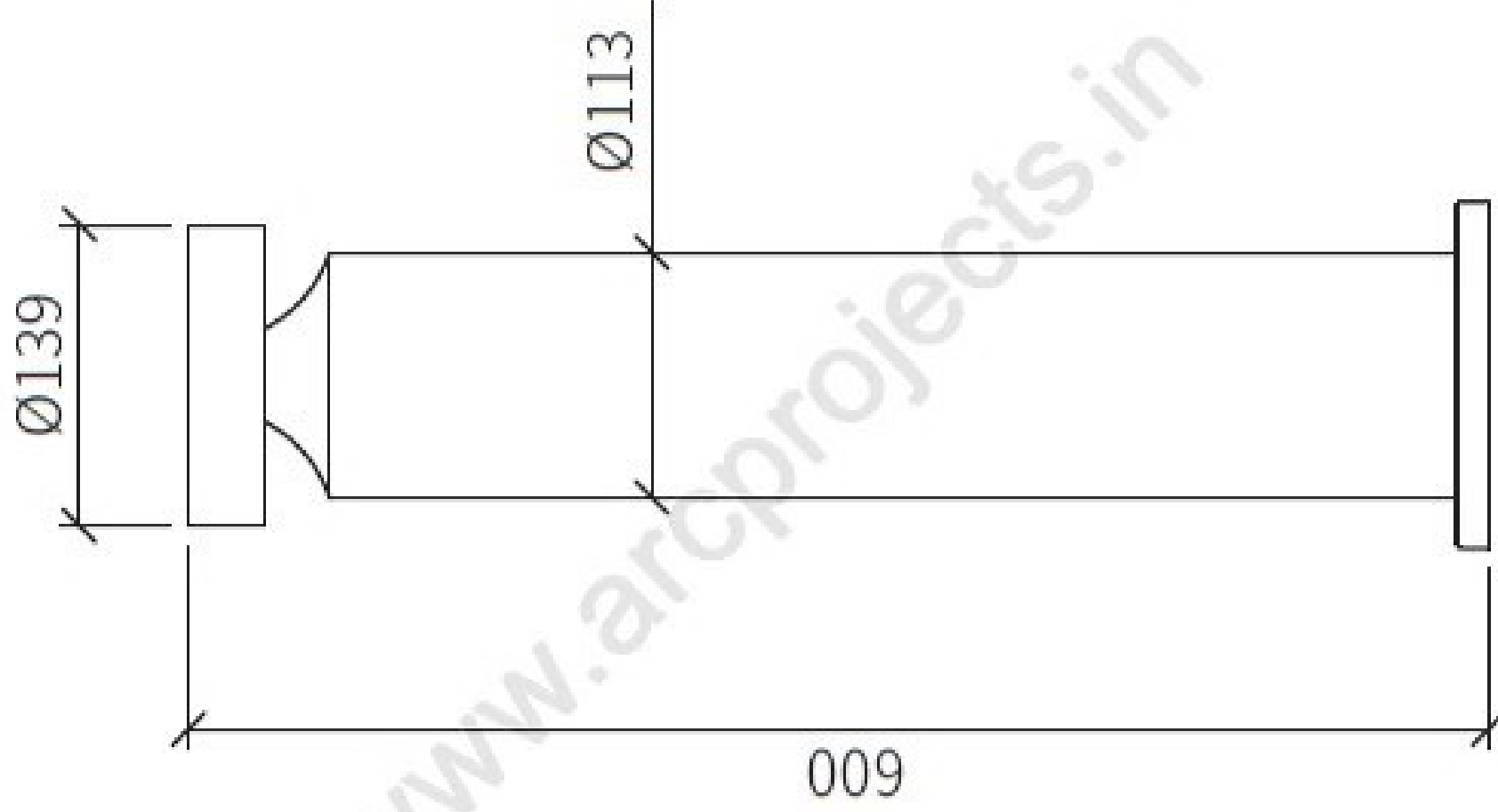


DHB-1108

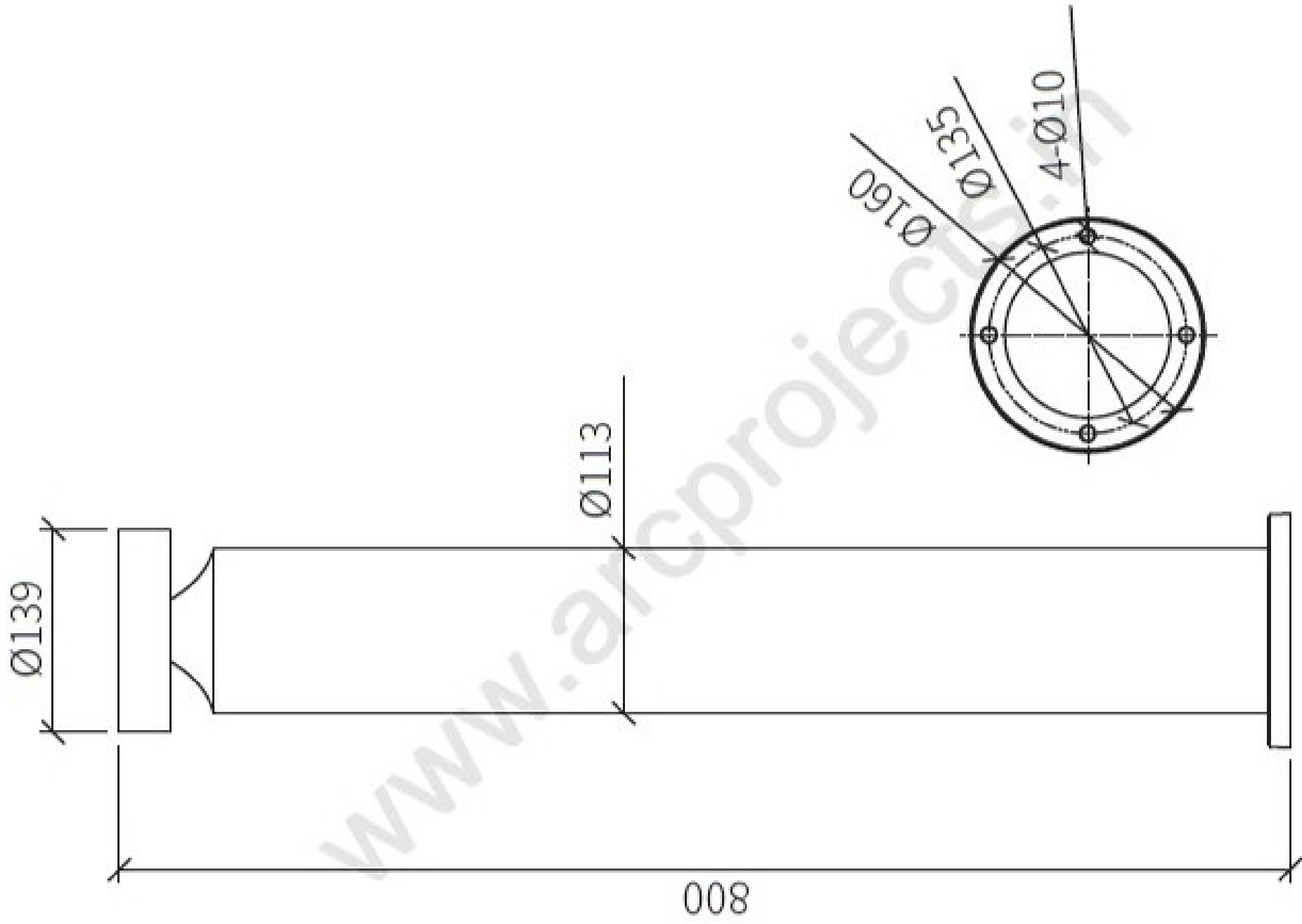


DHB-1709



www.arcprojects.in

DHB-1110



DHB-1111

DHB-1106/DHB-1107/DHB-1108 DHB-1109/DHB-1110/DHB-1111

- Body: Made of aluminum with treatment of corrosion protection and UV-proof powder coating.
- Diffuser: PC
- Gasketing: Made of termostable silica gel to impromprotection cass.
- Fastener: 304 stainless steel.

	Sand Black
	Dark Grey
	Sand Silver
	Gray Metal Sand Grain



Sand Black



Dark Grey



Sand Silver

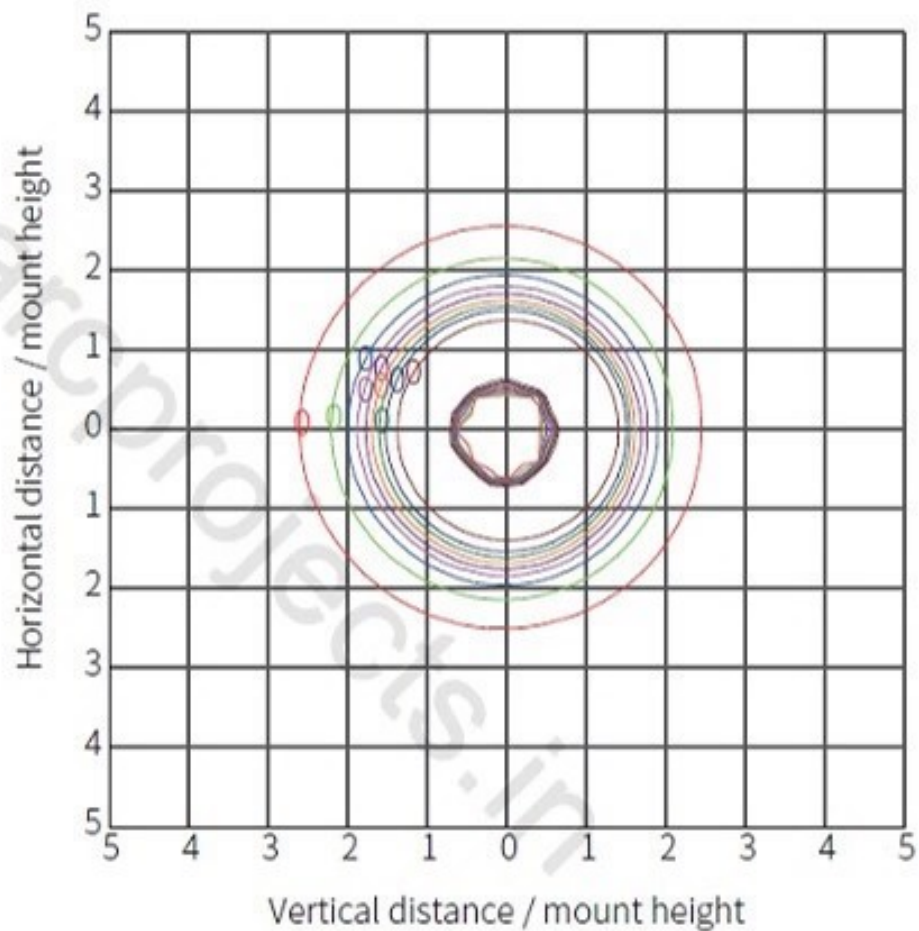
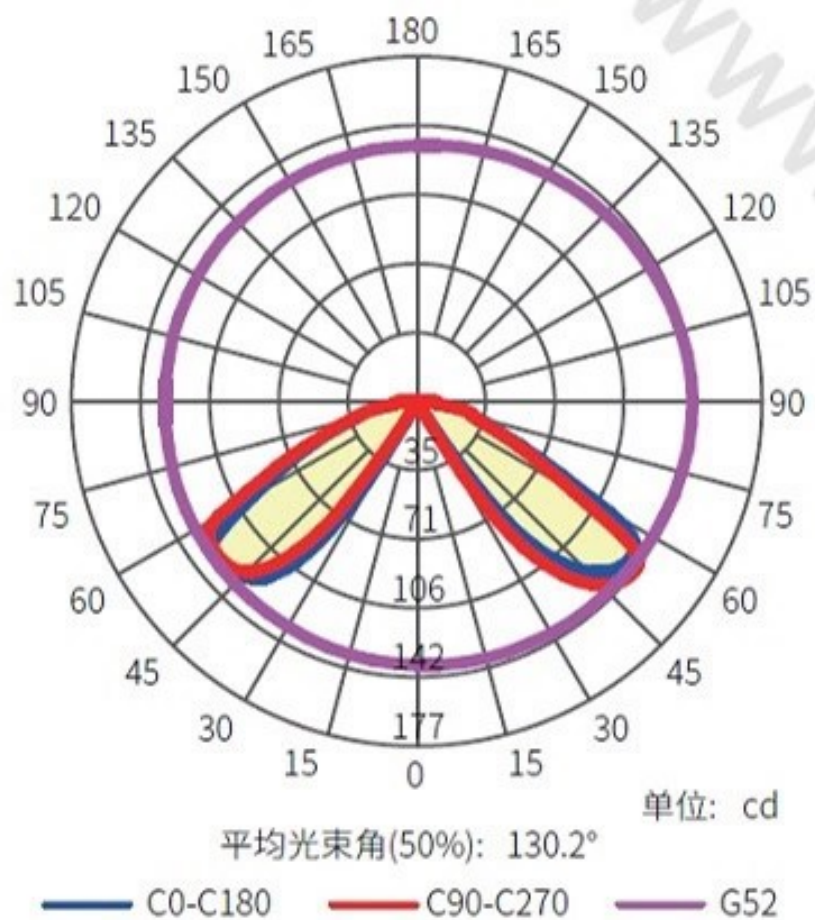


Gray Metal Sand Grain

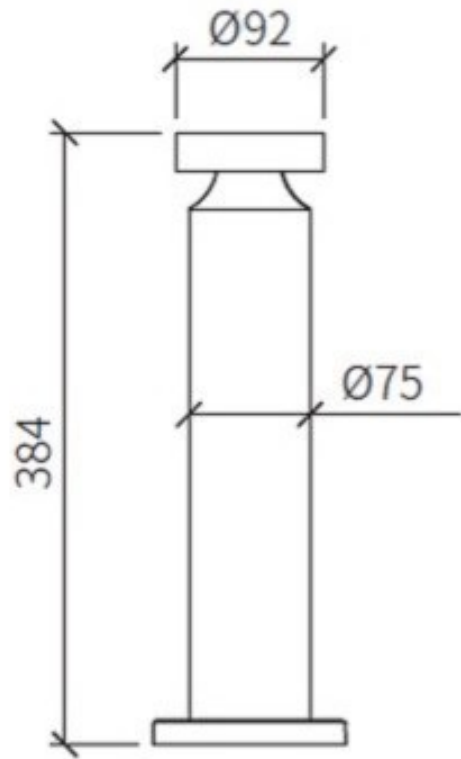
Model NO.	Lamp	Power	Voltage	Color Temperature
DHB-1106	LED	4W	90-260V 50/60Hz	<input checked="" type="checkbox"/> 3000K <input type="checkbox"/> 6000K
DHB-1107	LED	4W		
DHB-1108	LED	9W		
DHB-1109	LED	9W		
DHB-1110	LED	9W		
DHB-1111	LED	9W		



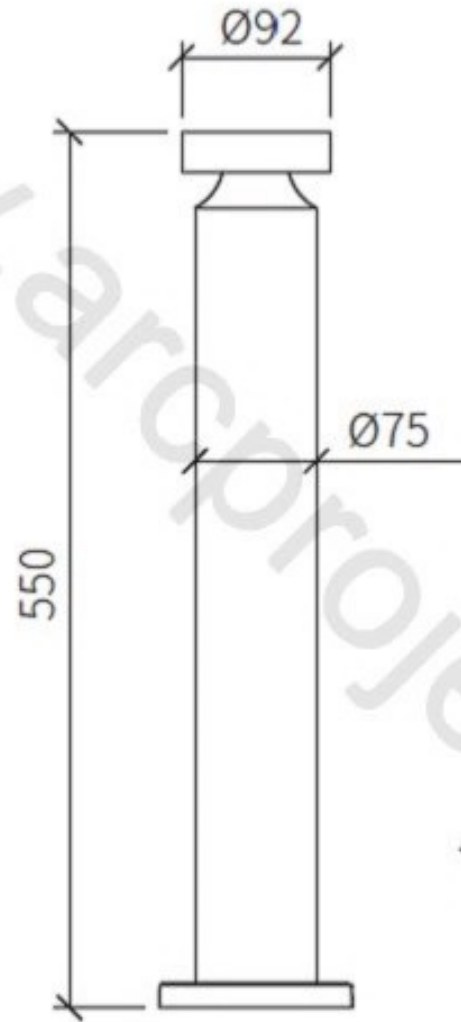
Photometric Data



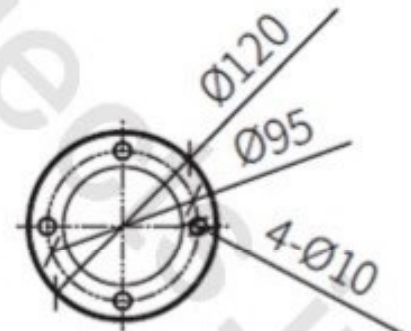
Dimensions 尺寸

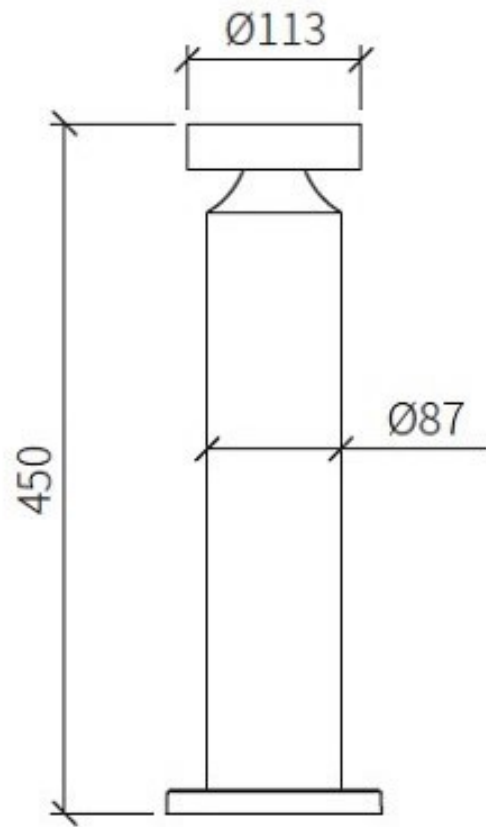


DHB-1106

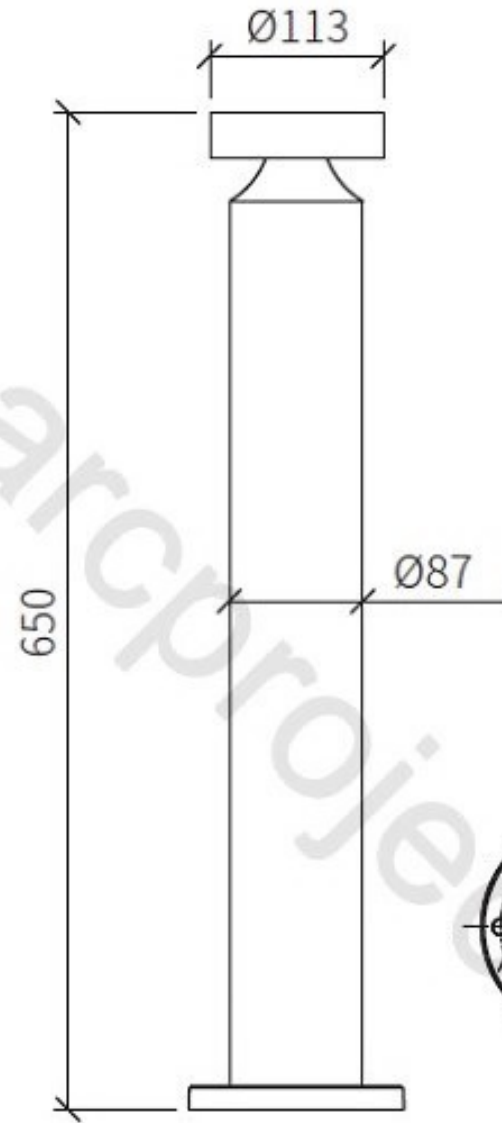


DHB-1107

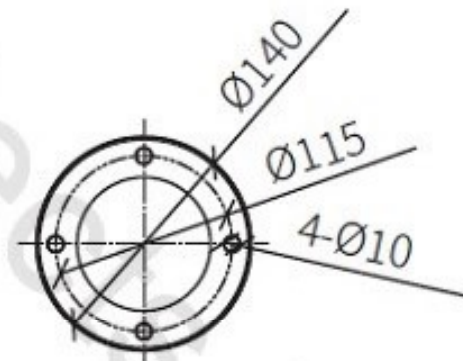


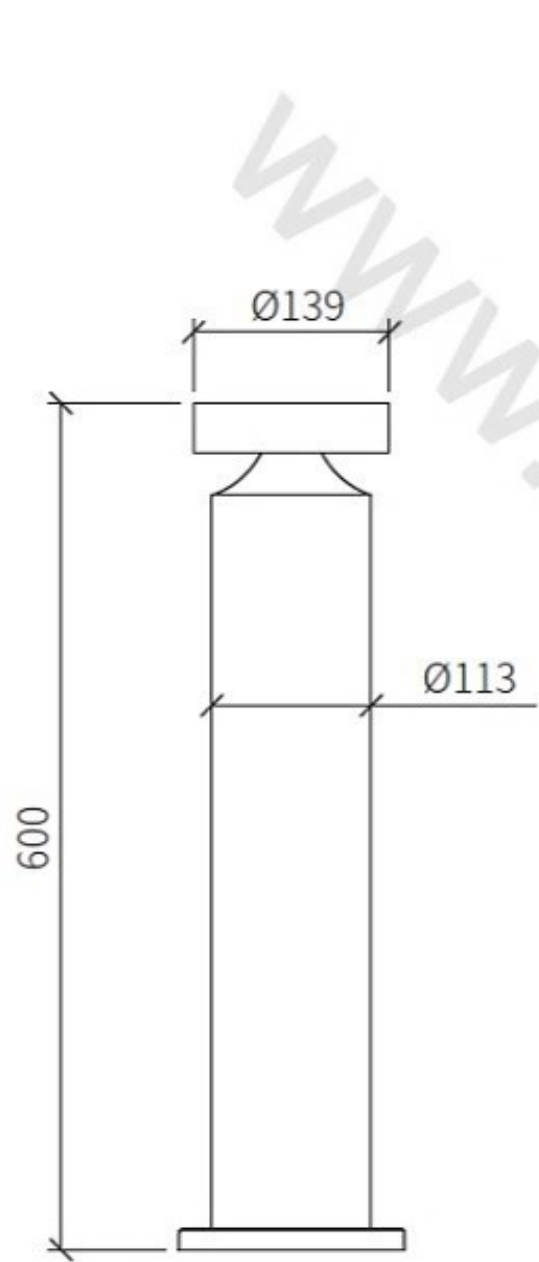


DHB-1108

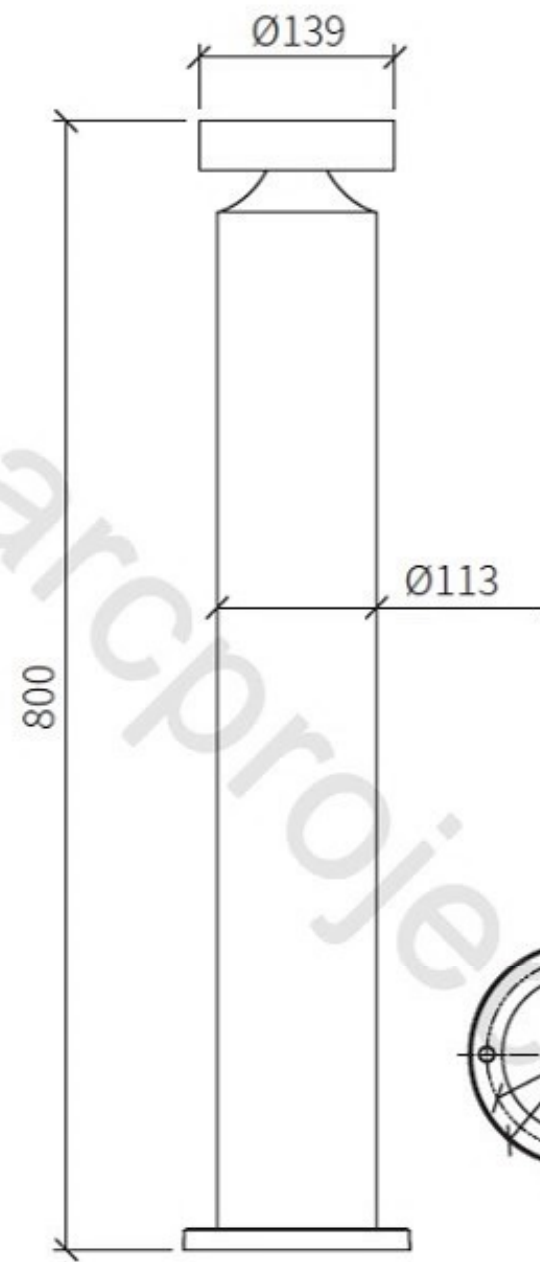


DHB-1109

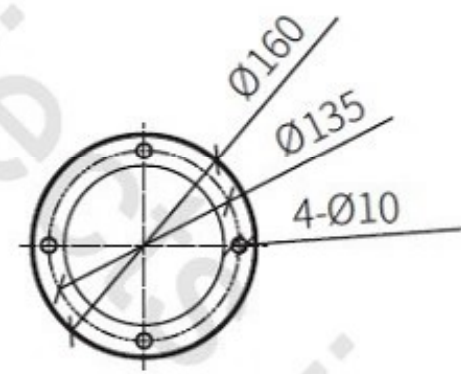




DHB-1110



DHB-1111

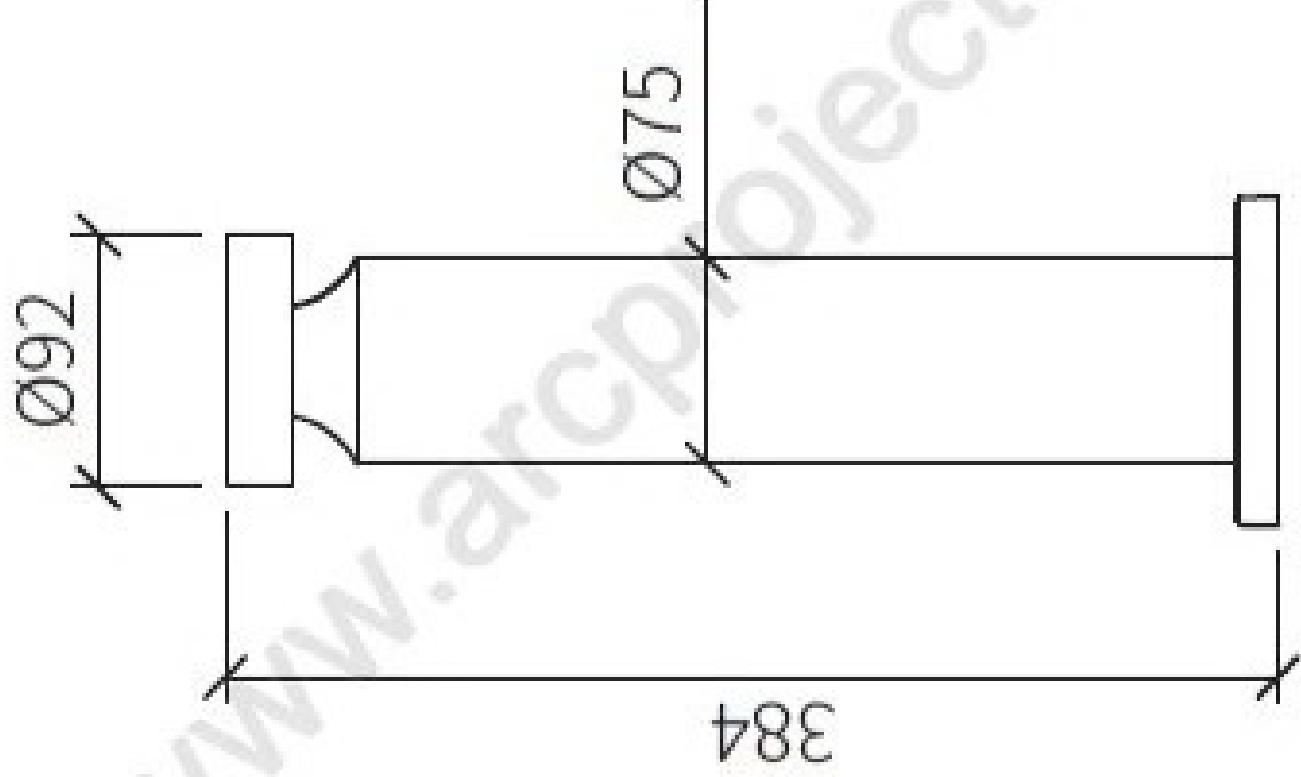




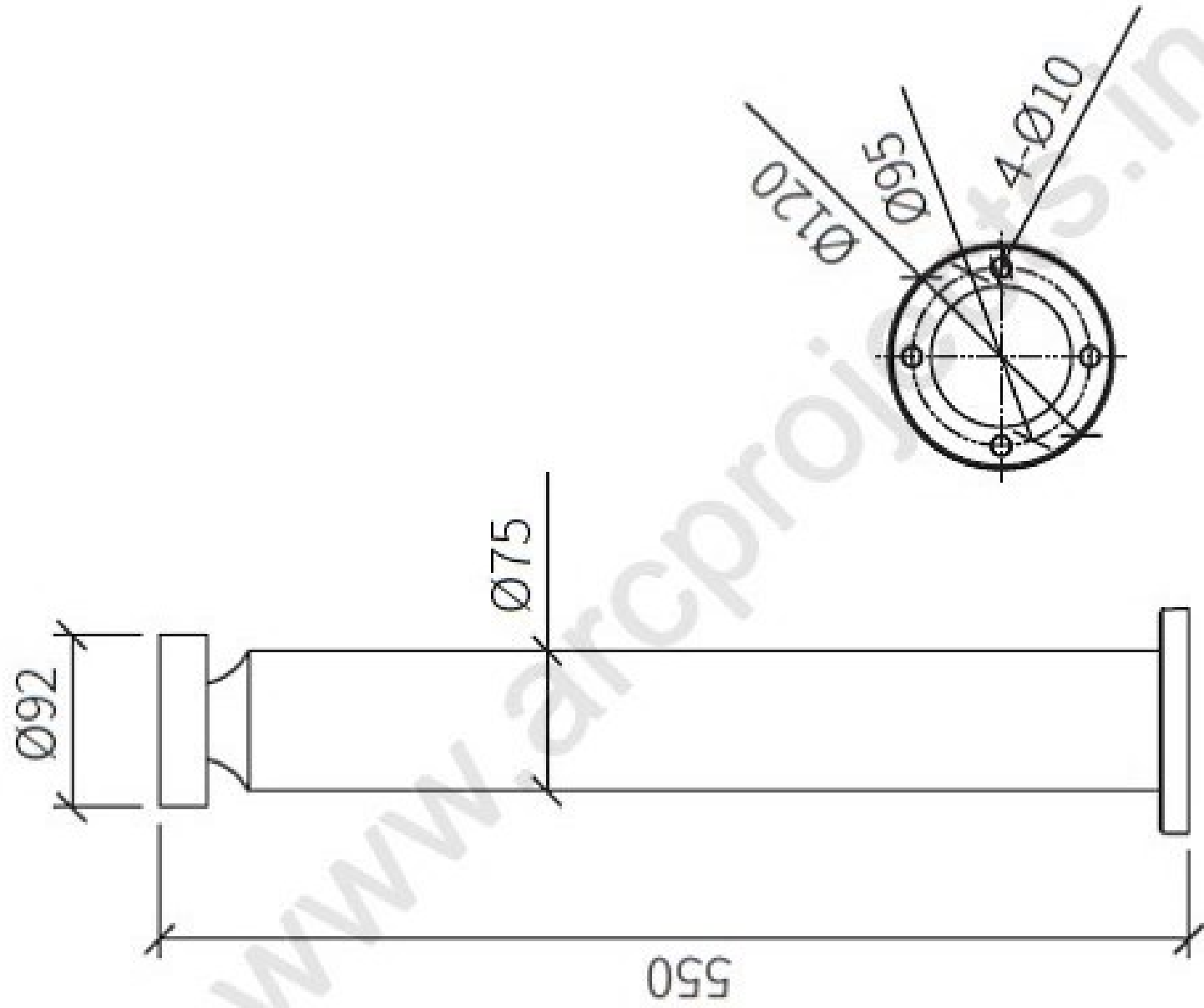


www.archprojects.in





DHB-1106



DHB-1107