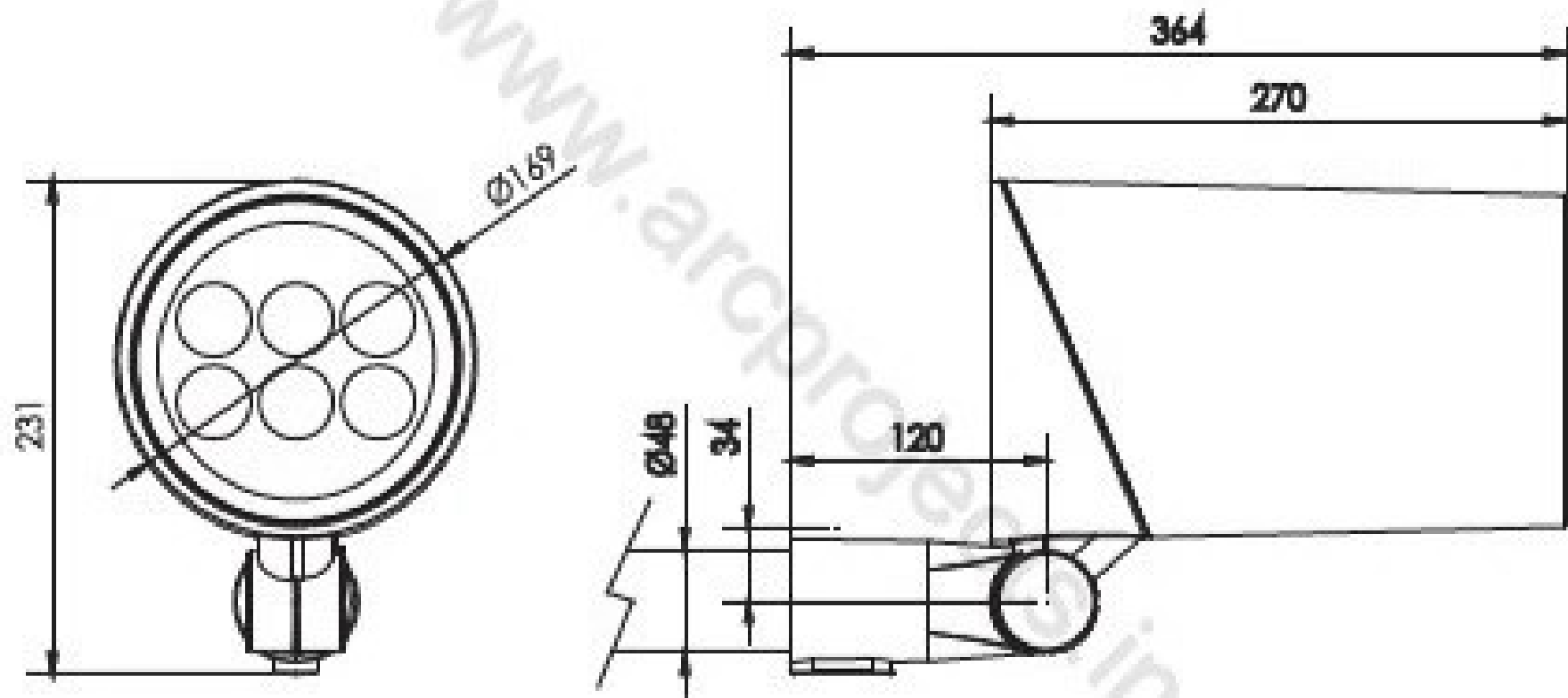
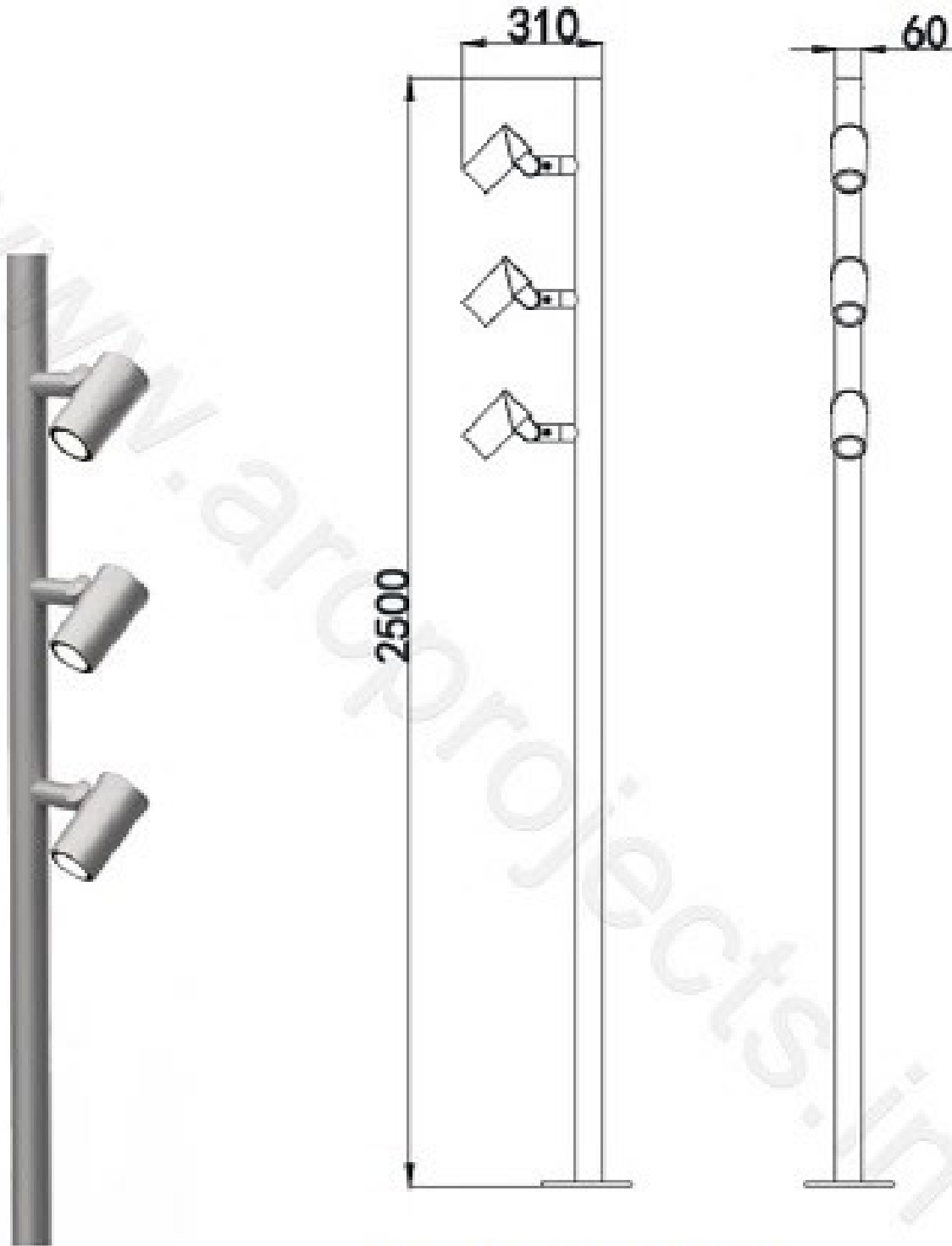


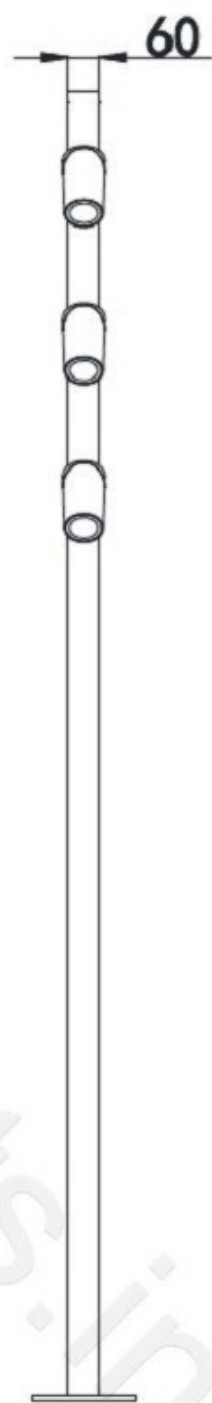
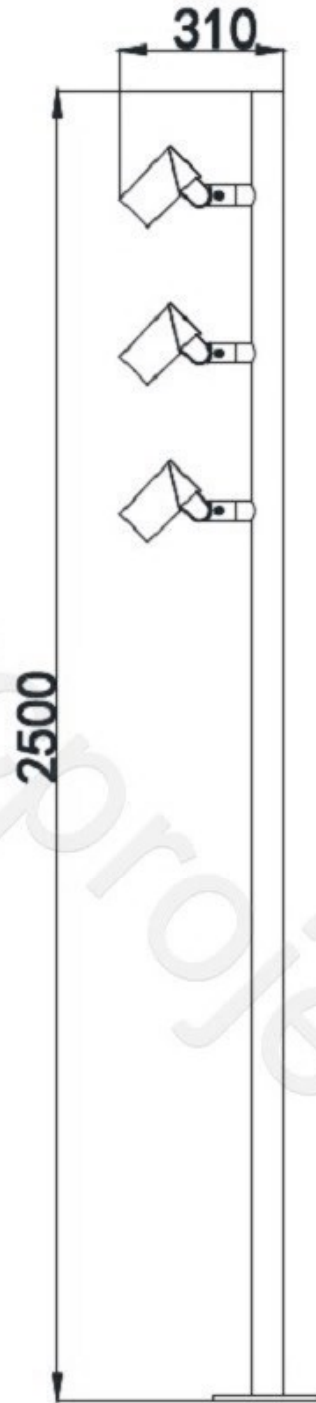


1150M

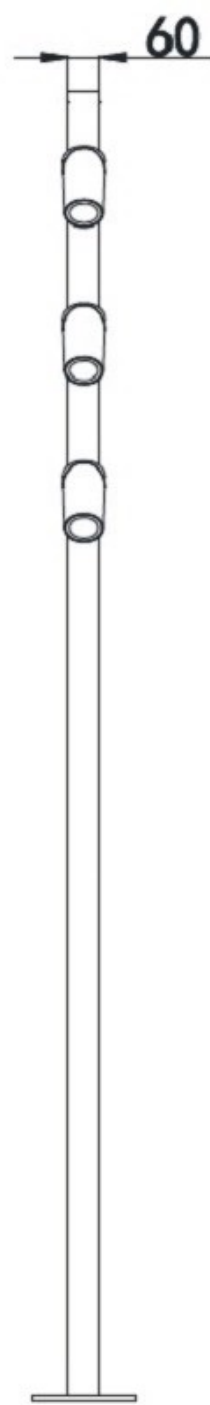
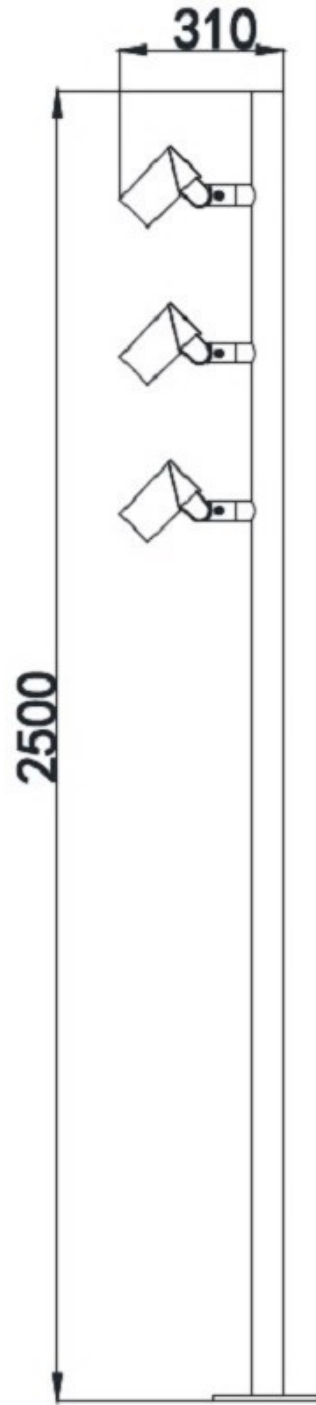




1150M-26-02-03



1150M-26-02-03



1145M-26-02-03