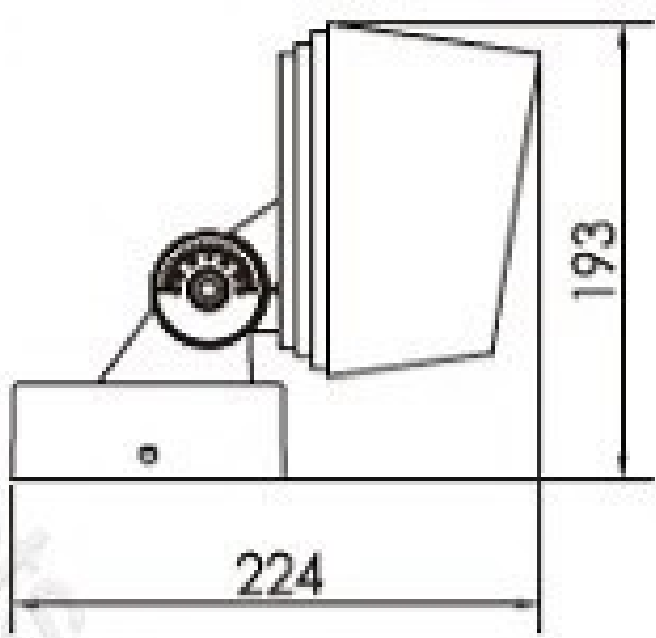
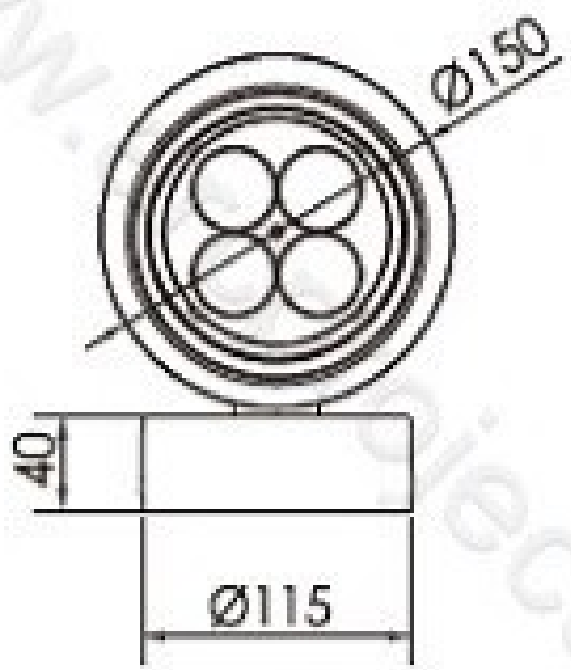
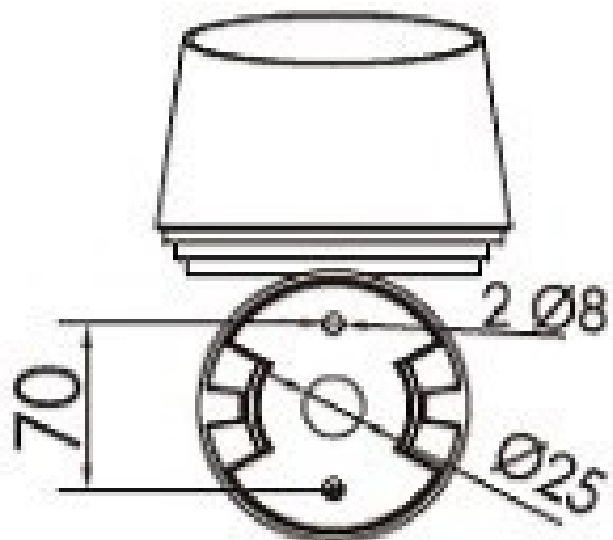


Flood Light Series

1139F



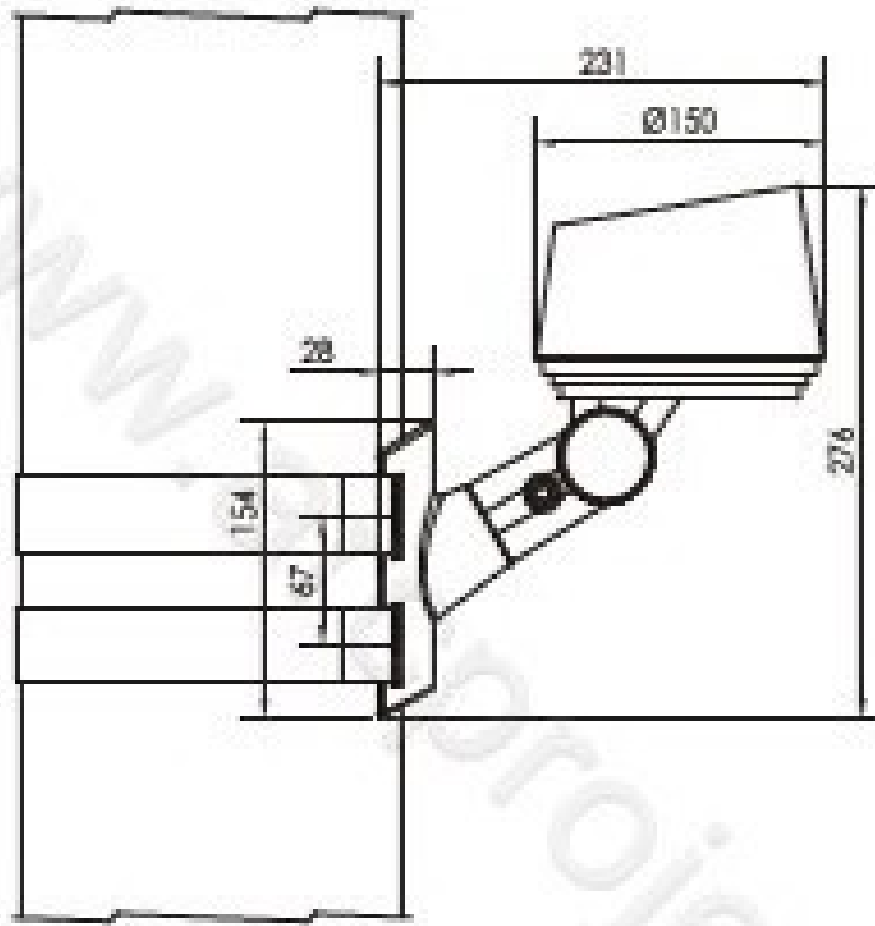
www.



unacademy.in



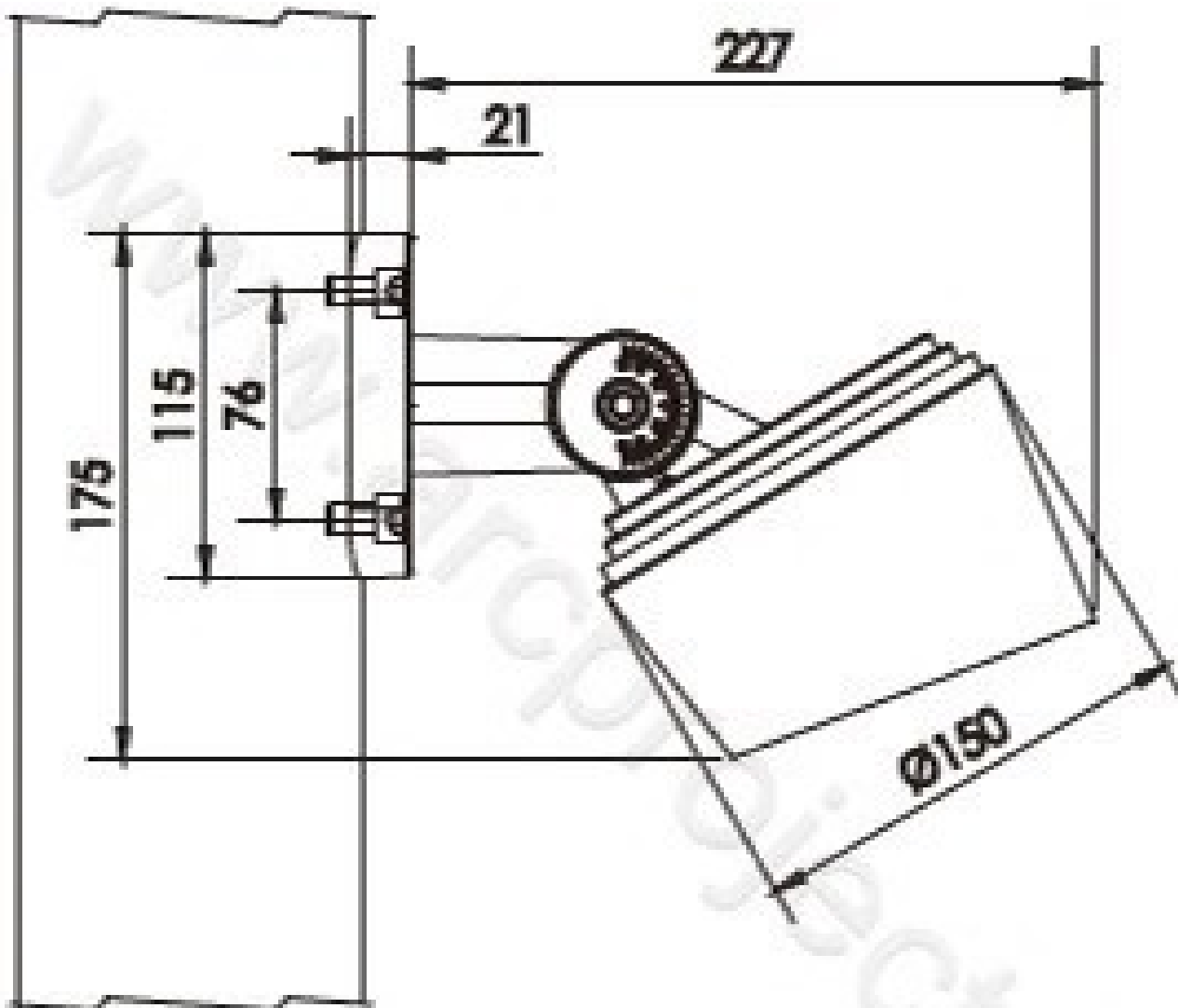
1139H



AVL Dia of pole(168–268)mm



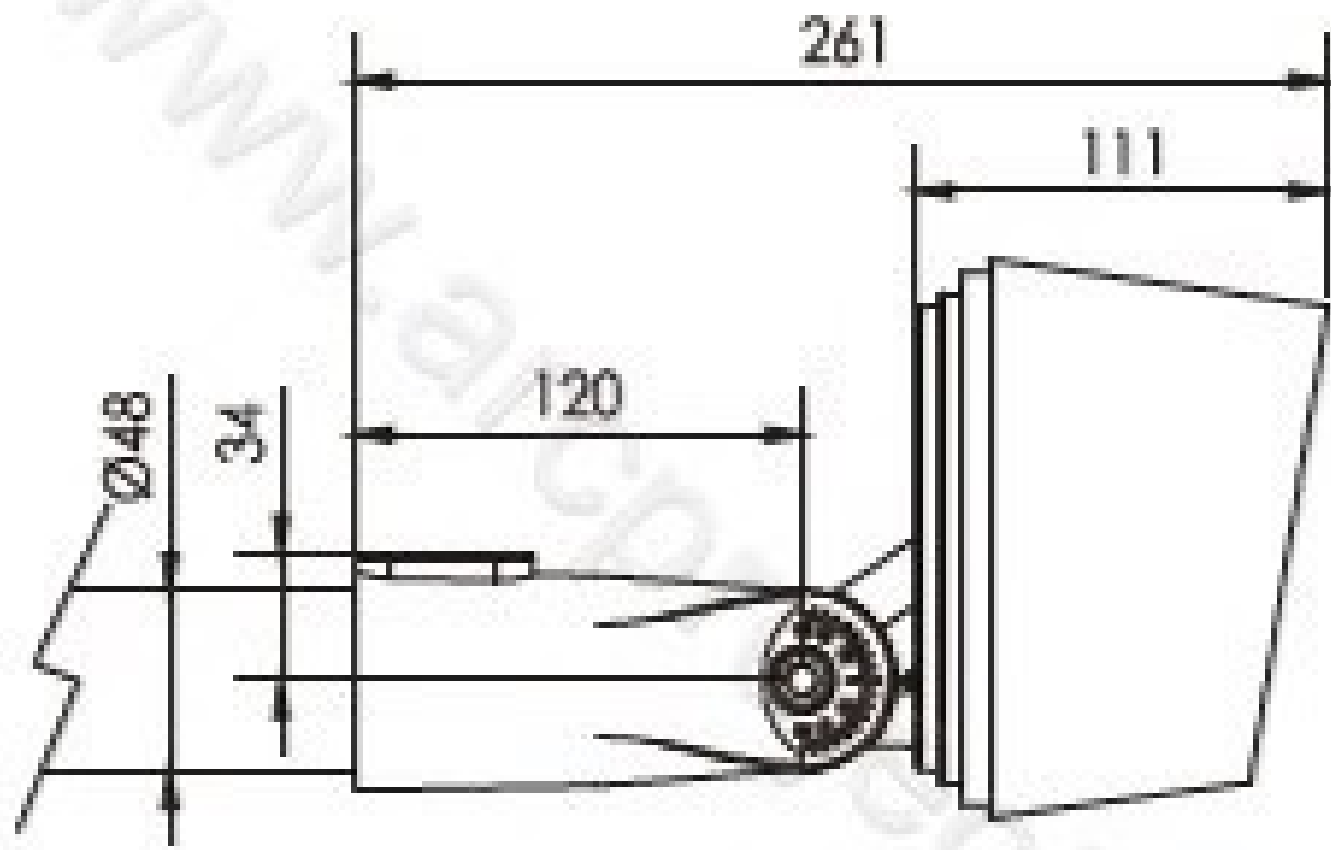
1139L



AVL Dia of pole(67–325)mm $T \geq 4$



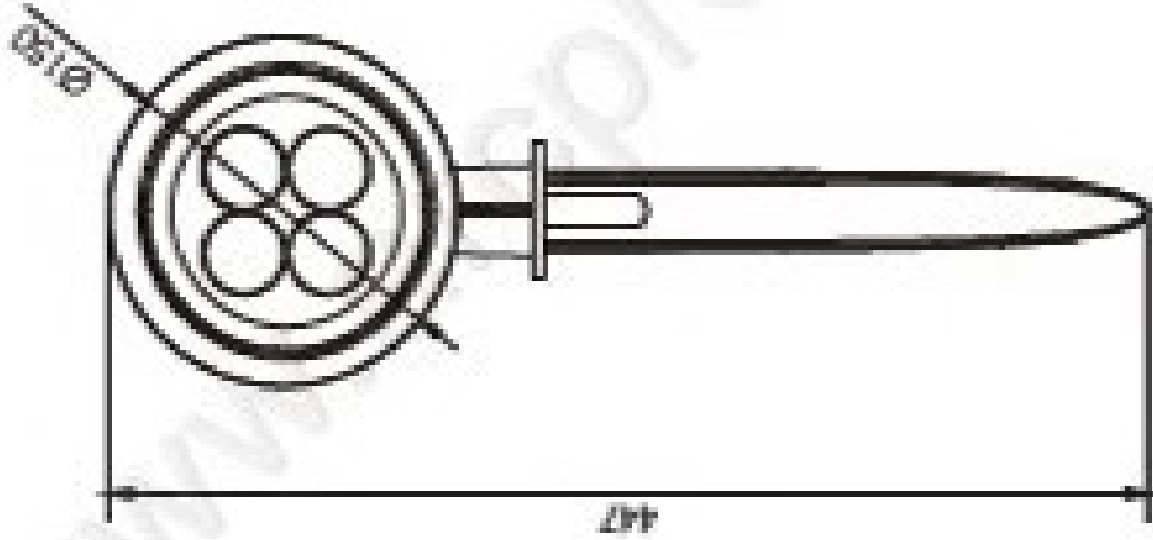
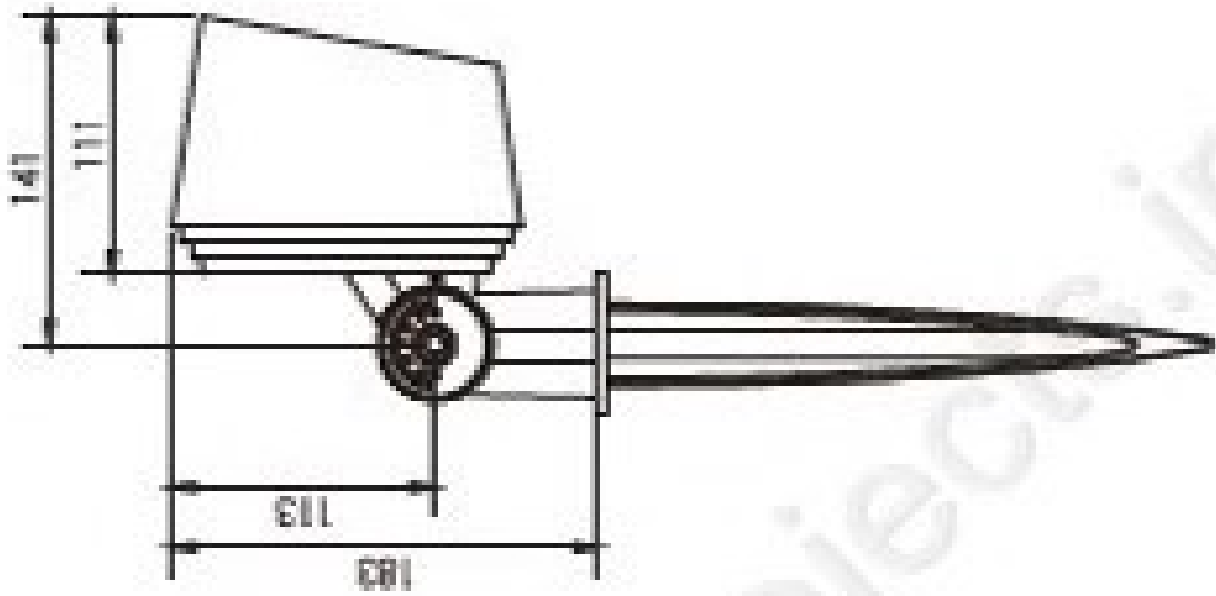
1139M





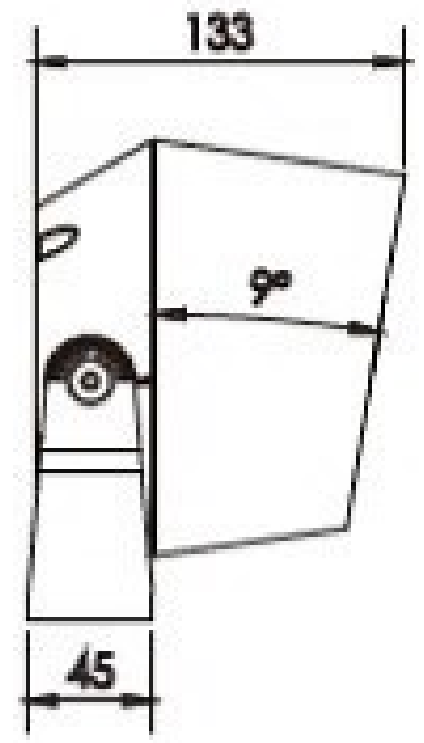
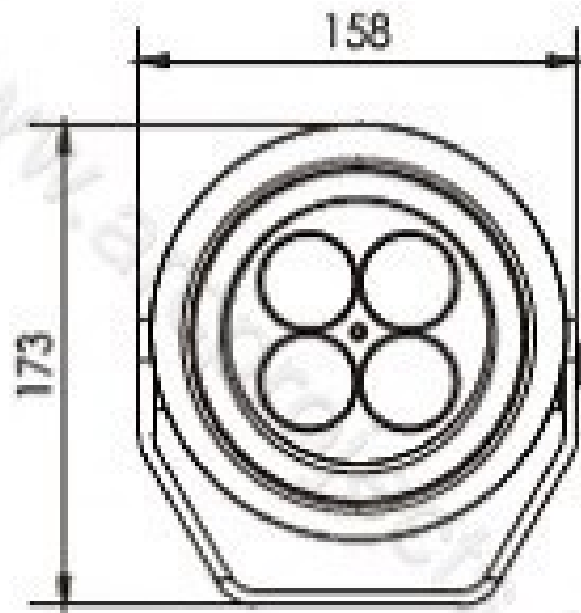
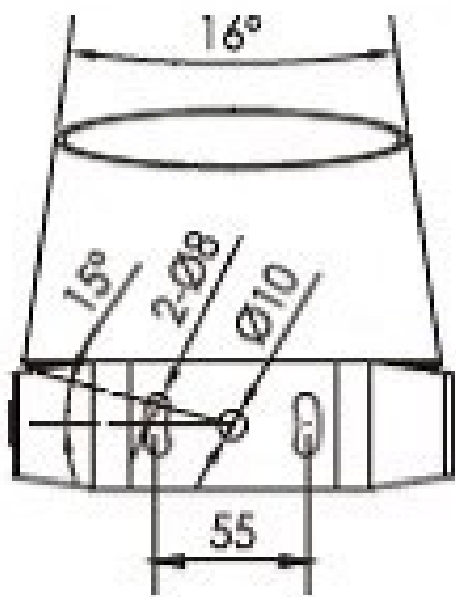
1139S

www.aiprprojects.in





1139U



Specification

Product Code	.1139FE-4	1139FD-4	1139FF-4
LED Brand	CREE XP-L	CREE XP-G3	CREE RGBW 4 in 1
LED Quantity	4pcs	4pcs	4pcs
Rated Power	20W	15W	20W
Input Voltage	AC100-264V	AC100-264V	DC24V
Frequency Range	50/60Hz	50/60Hz	50/60Hz
Color	Single	Single	RGBW
Beam Angle	2.6° 3.5° 12° 20° 30° 60° 10X70° 5X20°		20° 30° 15X60°
Control Mode	CC/DALI/0-10V	CC/DALI/0-10V	DMX512
Life	50000H	50000H	50000H
Protection Grade	IP66	IP66	IP66
Ambient Temperature	-25°C ~ 50°C	-25°C ~ 50°C	-25°C ~ 50°C
Ambient Humidity	10% ~ 90%	10% ~ 90%	10% ~ 90%

Distribution Curve Flux (SBC Case)

1139FD-4

