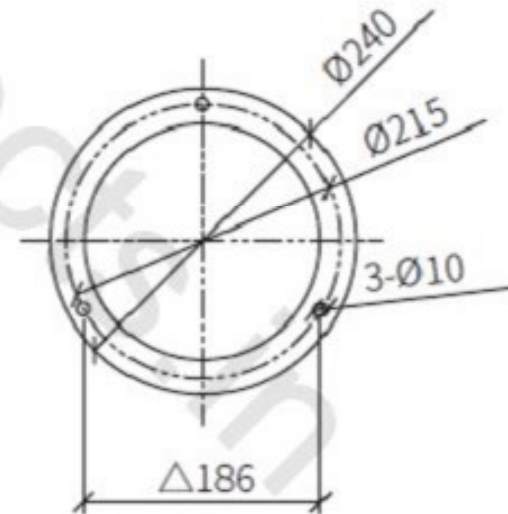
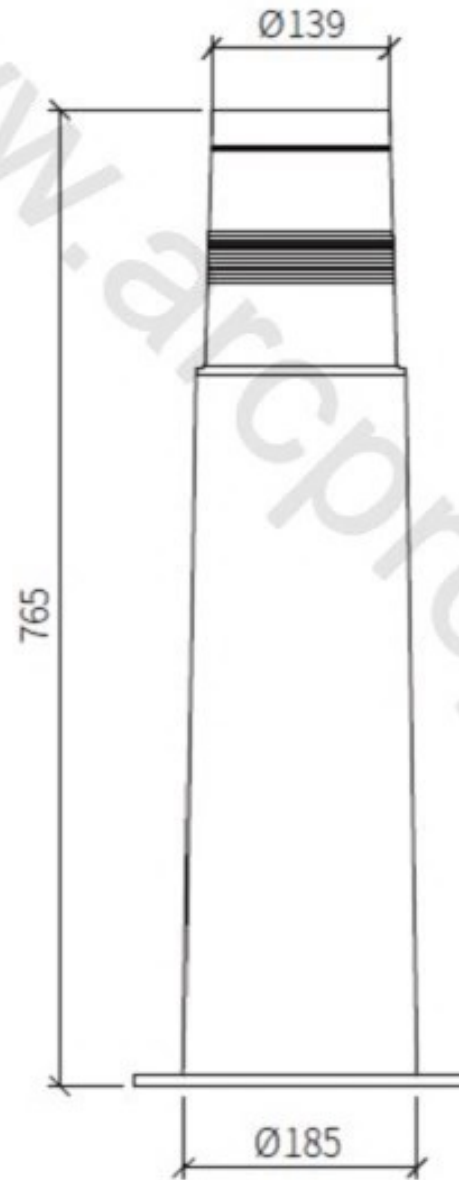
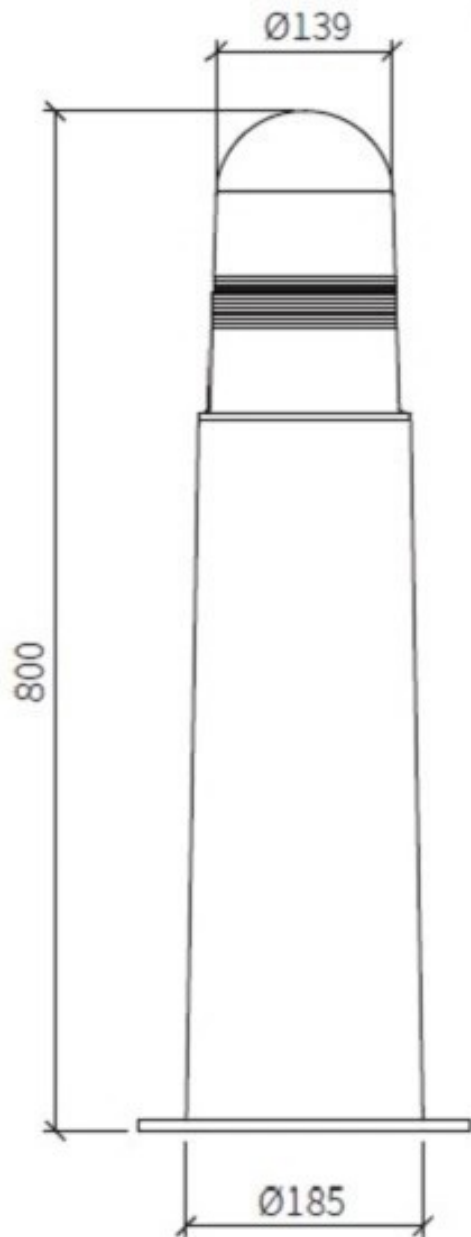


Dimensions

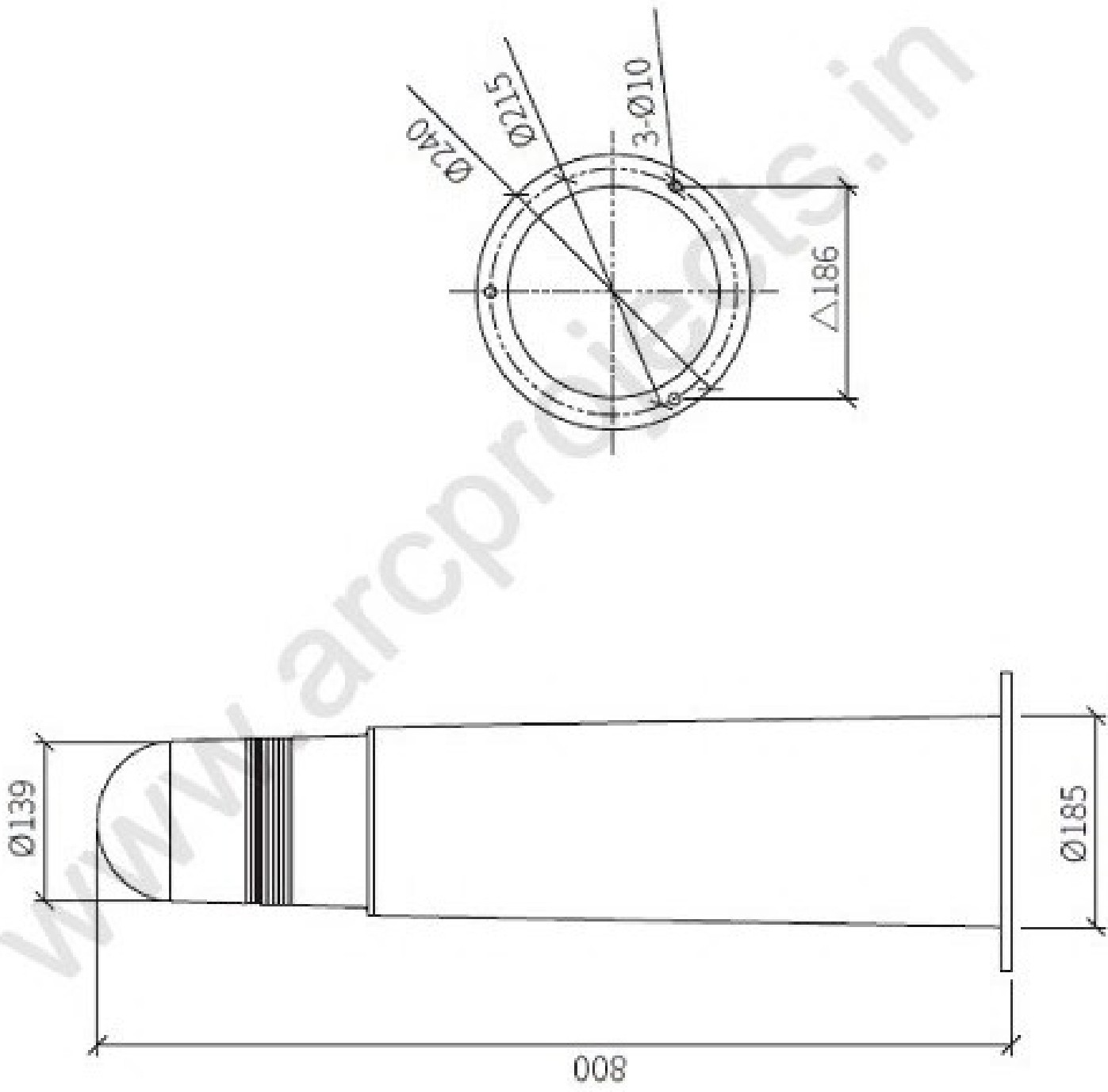






DHB-1102

Dimensions



DHB-1102/DHB-1103

- Body: Made of aluminum with treatment of corrosion protection and UV-proof powder coating.
- Diffuser: PC
- Gasketing: Made of thermostable silica gel to impromtection cass.
- Fastener: 304 stainless steel.

	Sand Black
	Dark Grey
	Sand Silver
	Gray Metal Sand Grain

Model NO.	Lamp	Power	Voltage	Color Temperature
DHB-1102	LED	9W	90-260V 50/60Hz	<input checked="" type="checkbox"/> 3000K <input type="checkbox"/> 6000K
DHB-1103	LED	9W		