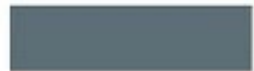


DHB-1112/DHB-1113/DHB-1114

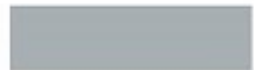
- Body: Made of aluminum with treatment of corrosion protection and UV-proof powder coating.
- Diffuser: PC
- Gasketing: Made of thermostable silica gel to impromtection cass.
- Fastener: 304 stainless steel.



Sand Black



Dark Grey



Sand Silver

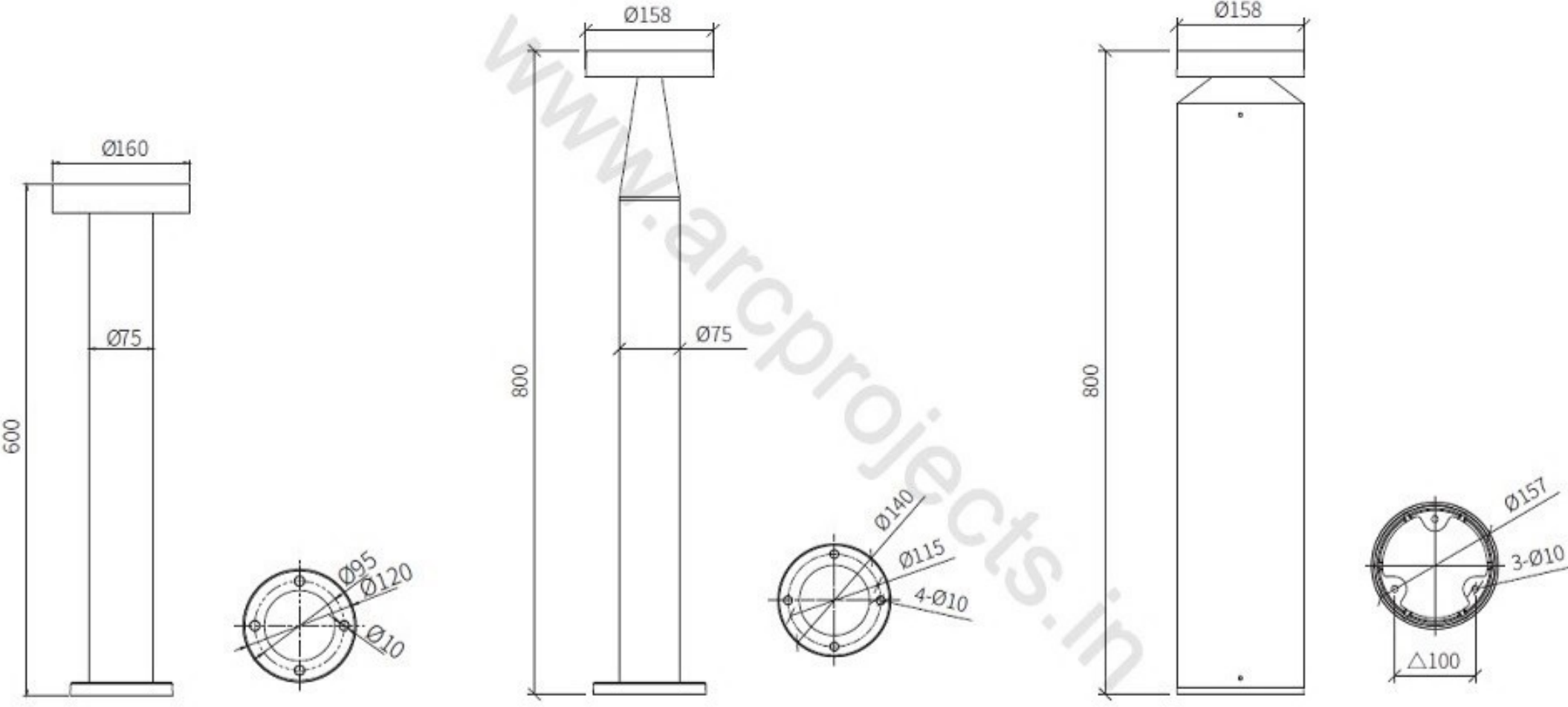


Gray Metal Sand Grain

Model NO. 型号	Lamp 光源	Power 功率	Voltage 电压	Color Temperature 色温
DHB-1112	LED	5W-15W	90-260V 50/60Hz	<input checked="" type="checkbox"/> 3000K <input type="checkbox"/> 6000K
DHB-1113	LED	15W		
DHB-1114	LED	15W		



Dimensions 尺寸







www.alcprojects.in

DHB-1112

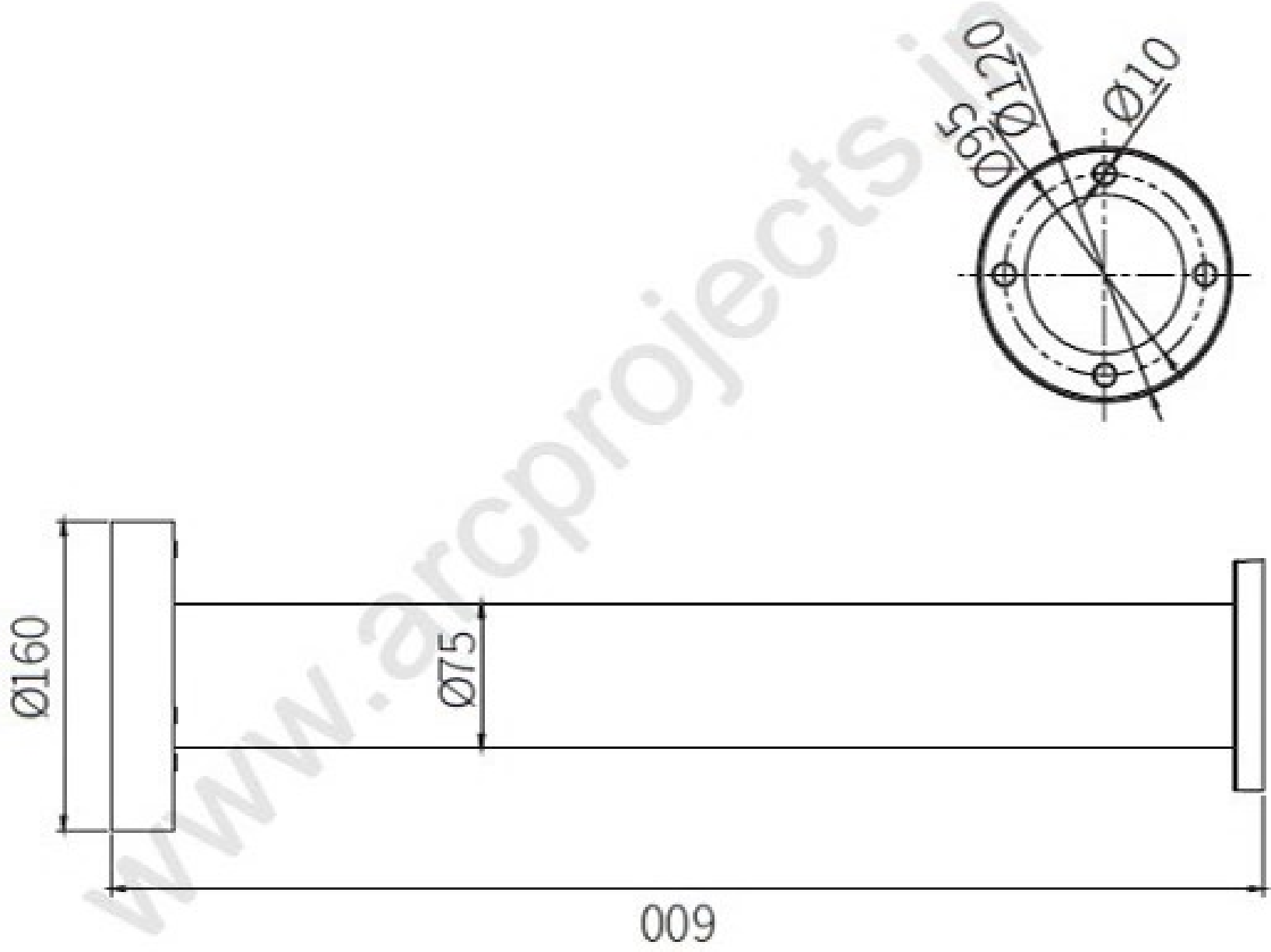


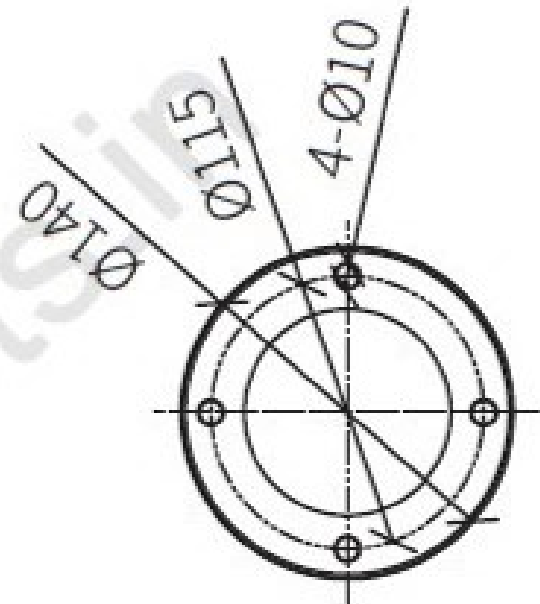
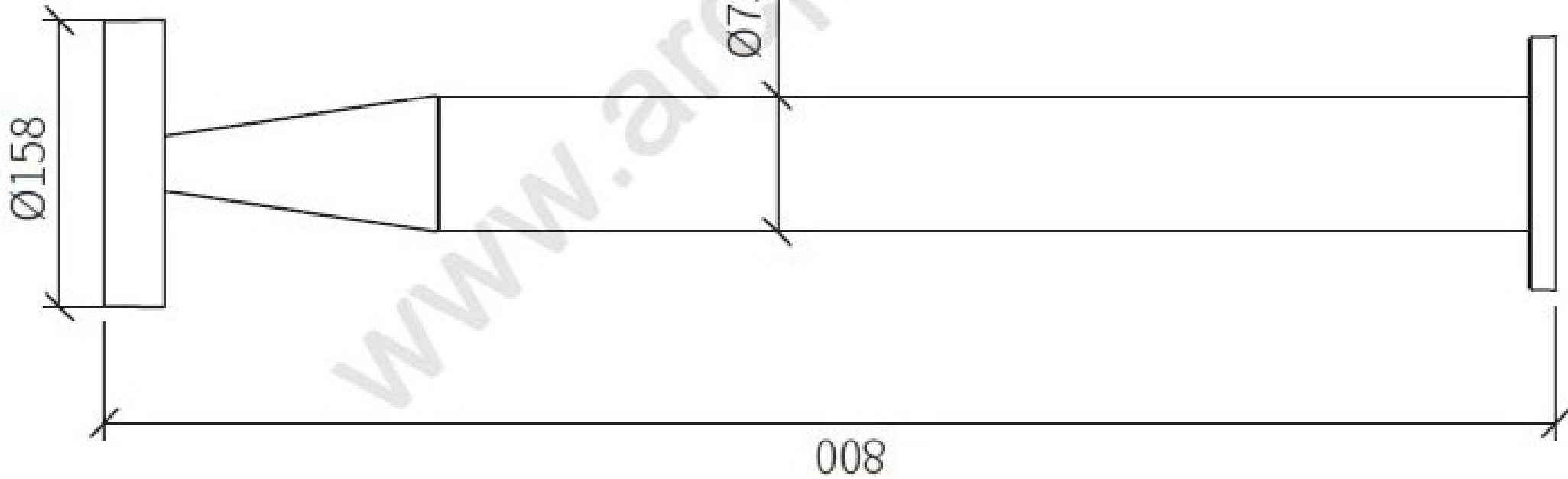
www.aagprojects.in

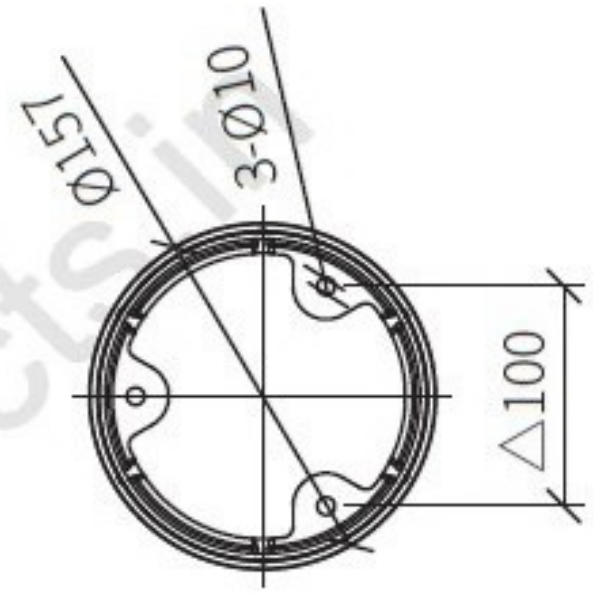
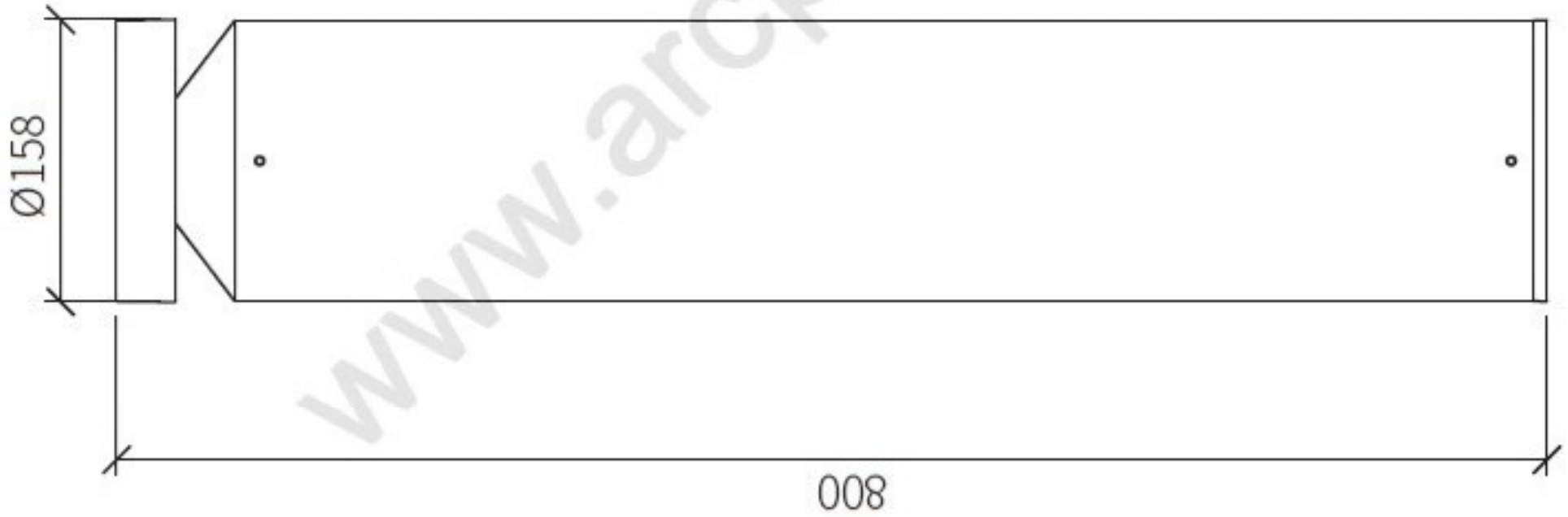
DHB-1113



DHB-1114







www.arcproject.com