



SL1135F-26-04-04



SL1135F-26-04-04

# Flood Light Series

1135F



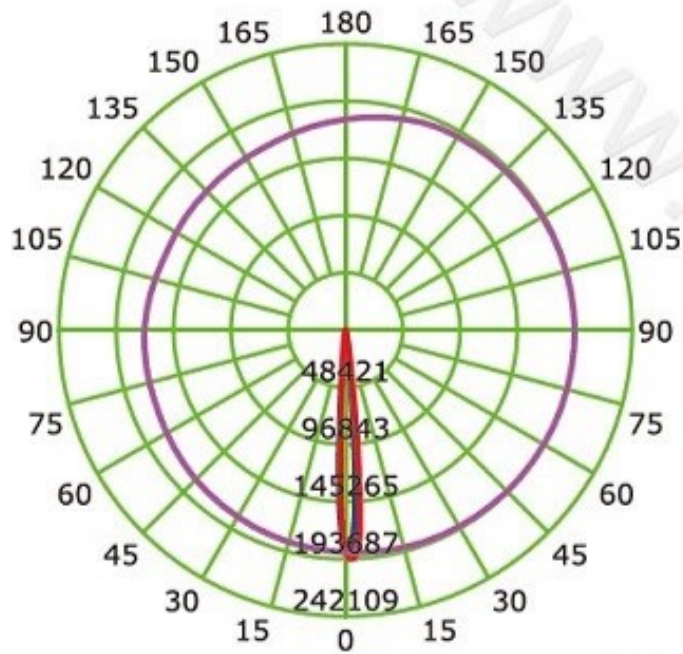
## Specification

| Product Code        | 1135FE-16                             | 1135FD-16     | 1135FF-16          | 1135FC-48              |
|---------------------|---------------------------------------|---------------|--------------------|------------------------|
| Led Brand           | CREE XP-L                             | CREE XP-G3    | CREE RGBW 4 in1    | CREE XP-E2             |
| Led Quantity        | 16pcs                                 | 16pcs         | 16pcs              | 48pcs                  |
| Rated Power         | 75W                                   | 60W           | 100W               | 100W                   |
| Input Voltage       | AC100-305V                            | AC100-305V    | DC36V / AC100-305V |                        |
| Frequency Range     | 50/60Hz                               | 50/60Hz       | 50/60Hz            | 50/60Hz                |
| Color               | Single                                | Single        | RGBW               | RGB/RGBW               |
| Beam Angle          | 2.6° 3.5° 12° 20° 30° 60° 10X70° 5X20 |               | 20° 30° 15X60°     | 5° 8° 12.5° 30° 15X60° |
| Control Mode        | CC/DALI/0-10V                         | CC/DALI/0-10V | DMX512/RDM         | DMX512/RDM             |
| Life                | 50000H                                | 50000H        | 50000H             | 50000H                 |
| Protection Grade    | IP66                                  | IP66          | IP66               | IP66                   |
| Ambient Temperature | -25℃~50℃                              | -25℃~50℃      | -25℃~50℃           | -25℃~50℃               |
| Ambient Humidity    | 10%~90%                               | 10%~90%       | 10%~90%            | 10%~90%                |



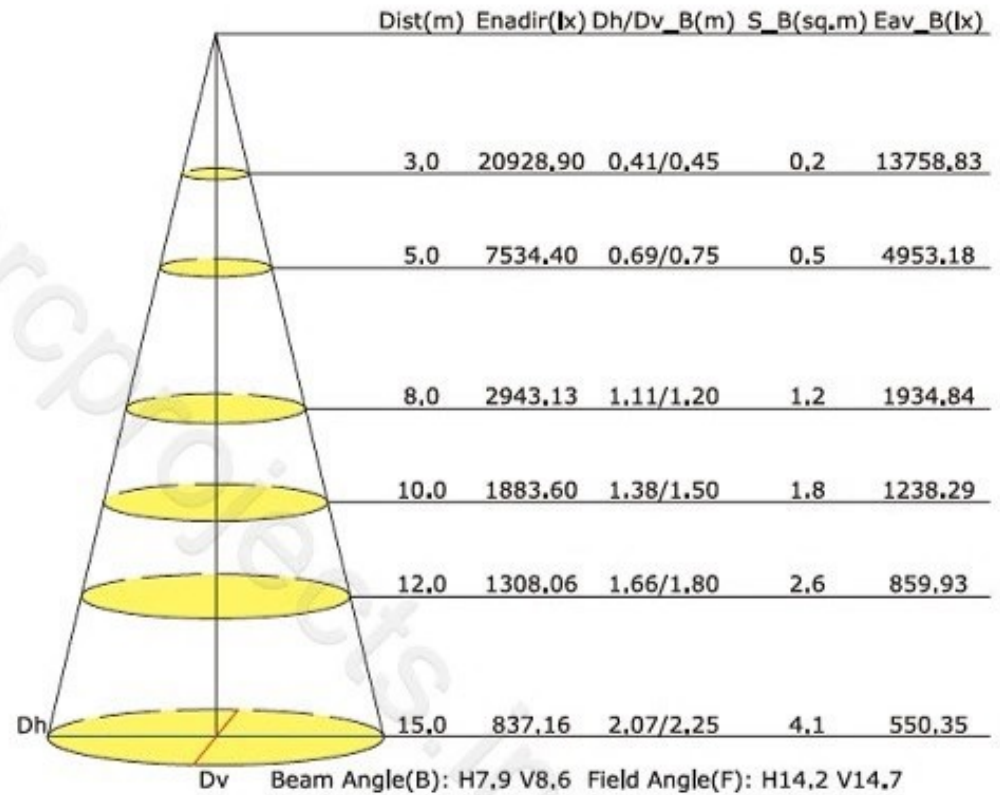
## Distribution Curve Flux (SBC Case)

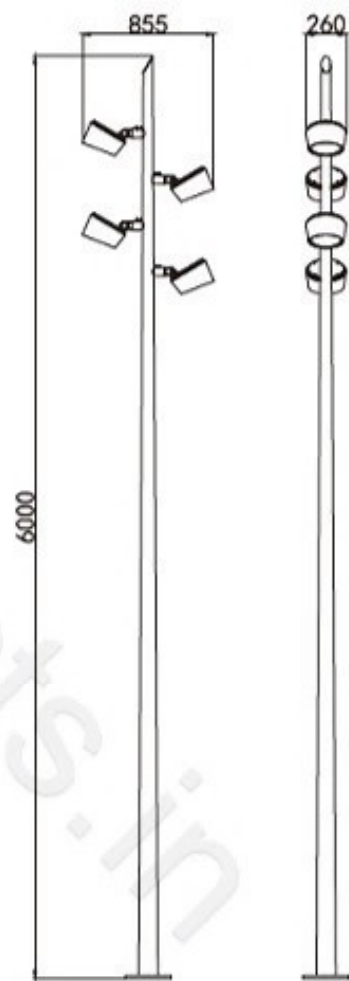
1135FE-16



Average Diffuse Angle(50%): 8.2° Unit: cd

— C0-C180 — C90-C270 — G1



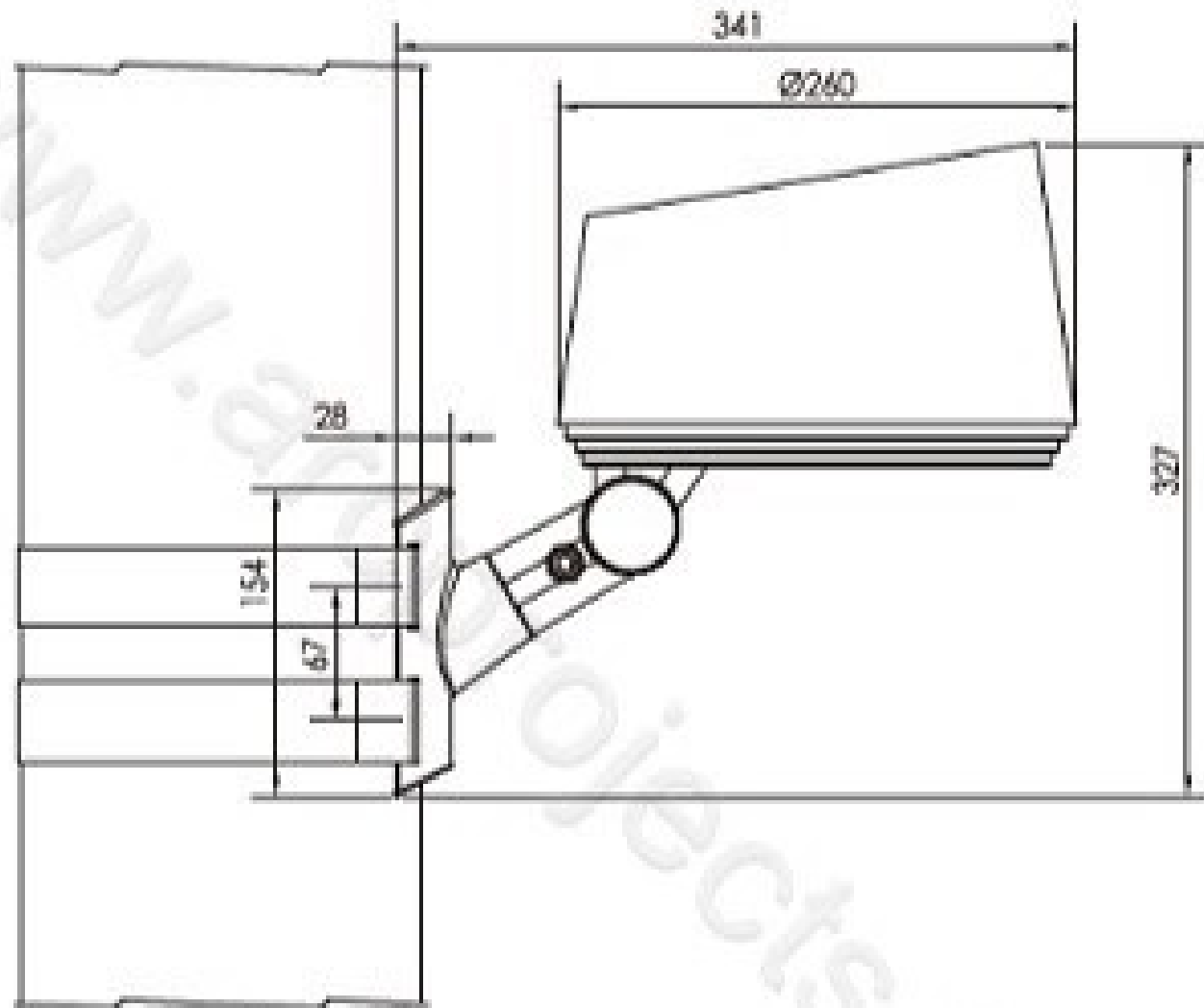


.1135M-26-06-04



1135H

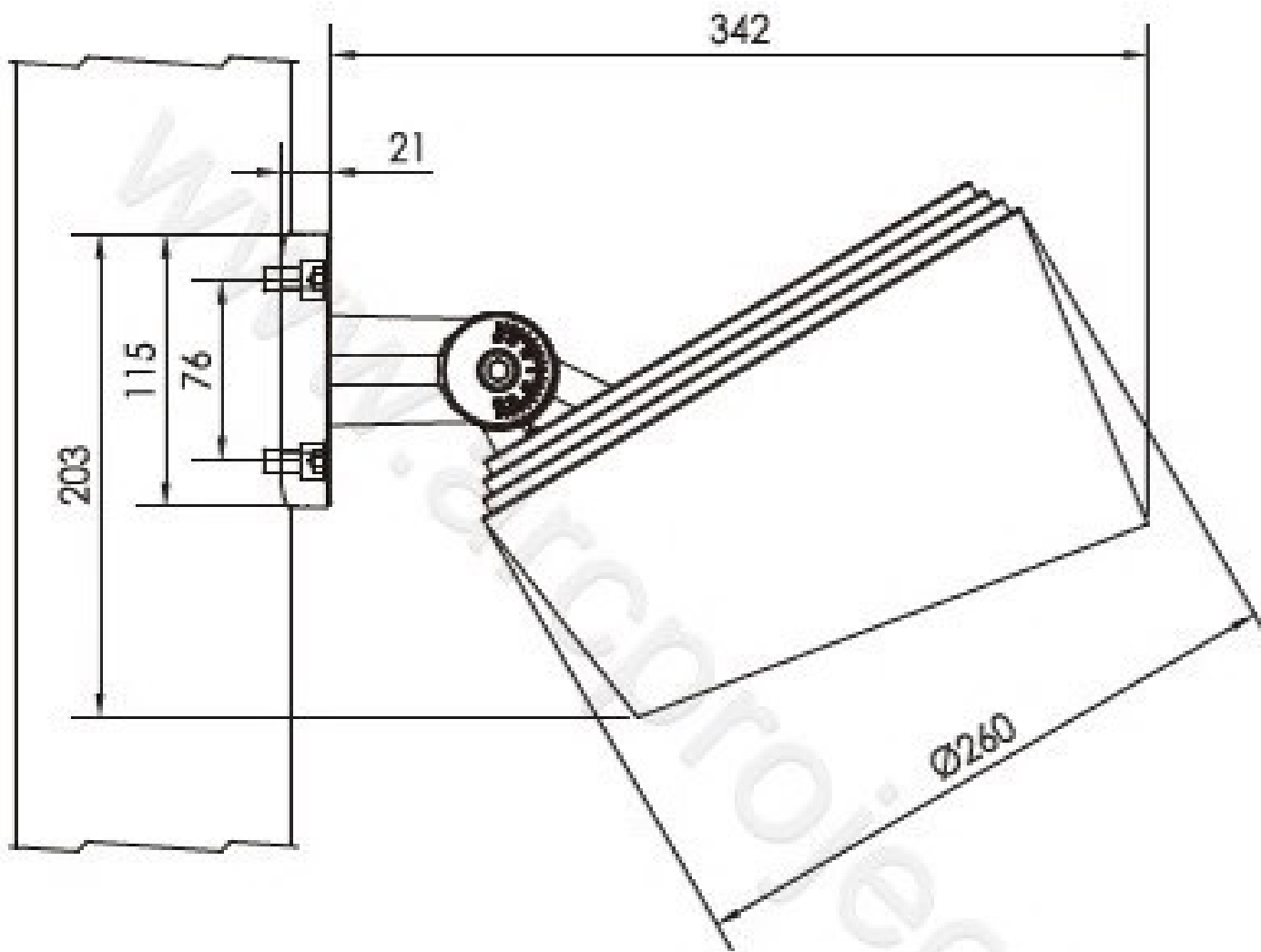




AVL Dia of pole(168–268)mm



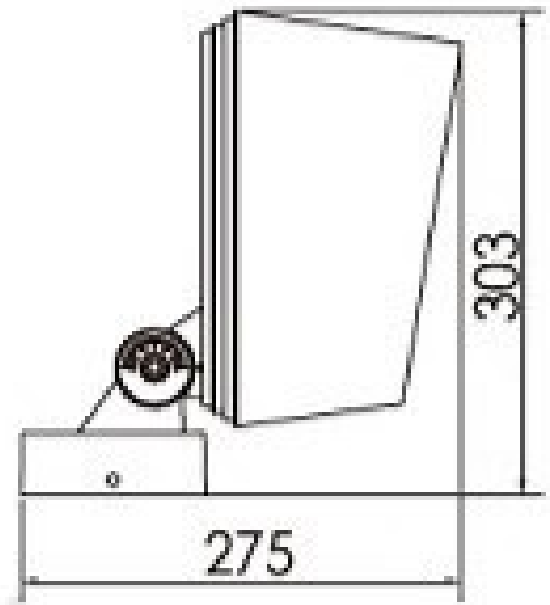
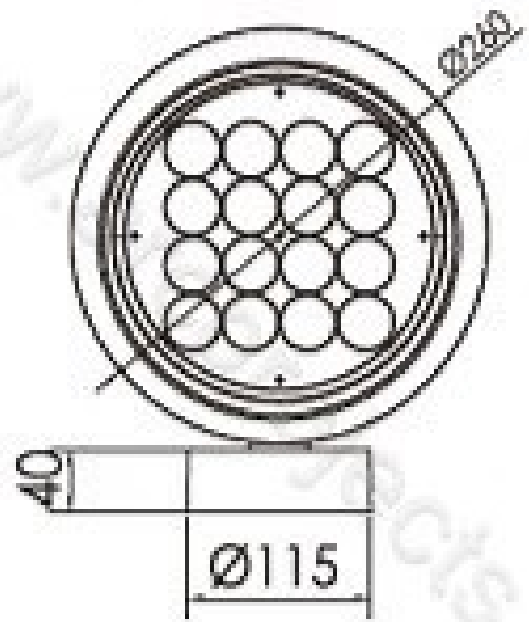
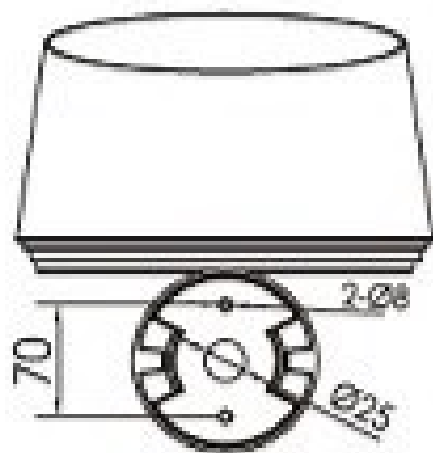
1135L

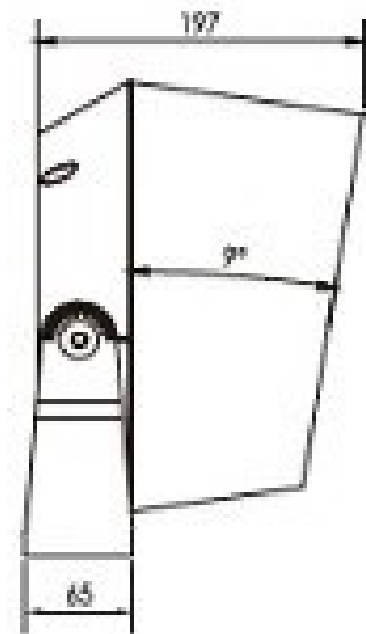
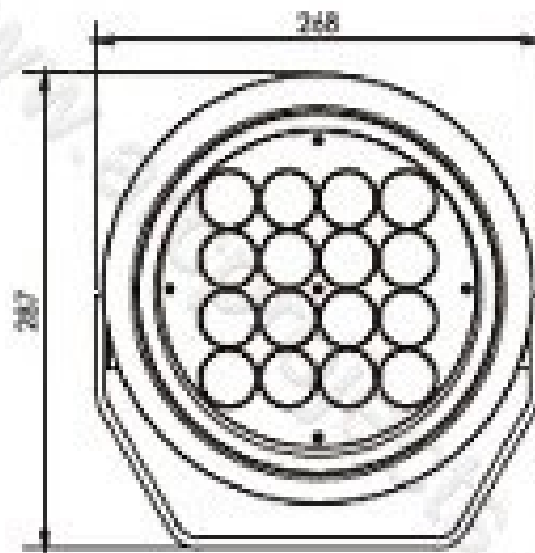
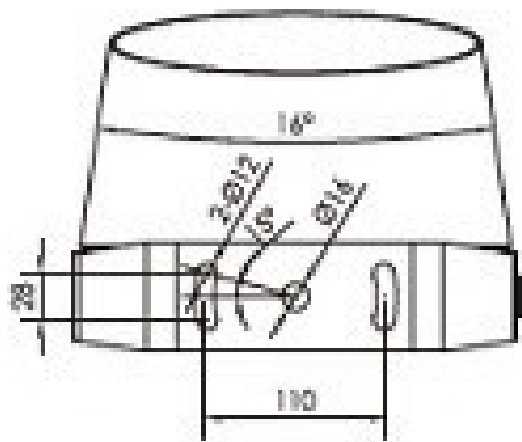


AVL Dia of pole(67–325)mm  $T \geq 4$



SL1135M







1135U

