

SL1132F-26-06-06

Flood Light Series

1132



cts.in



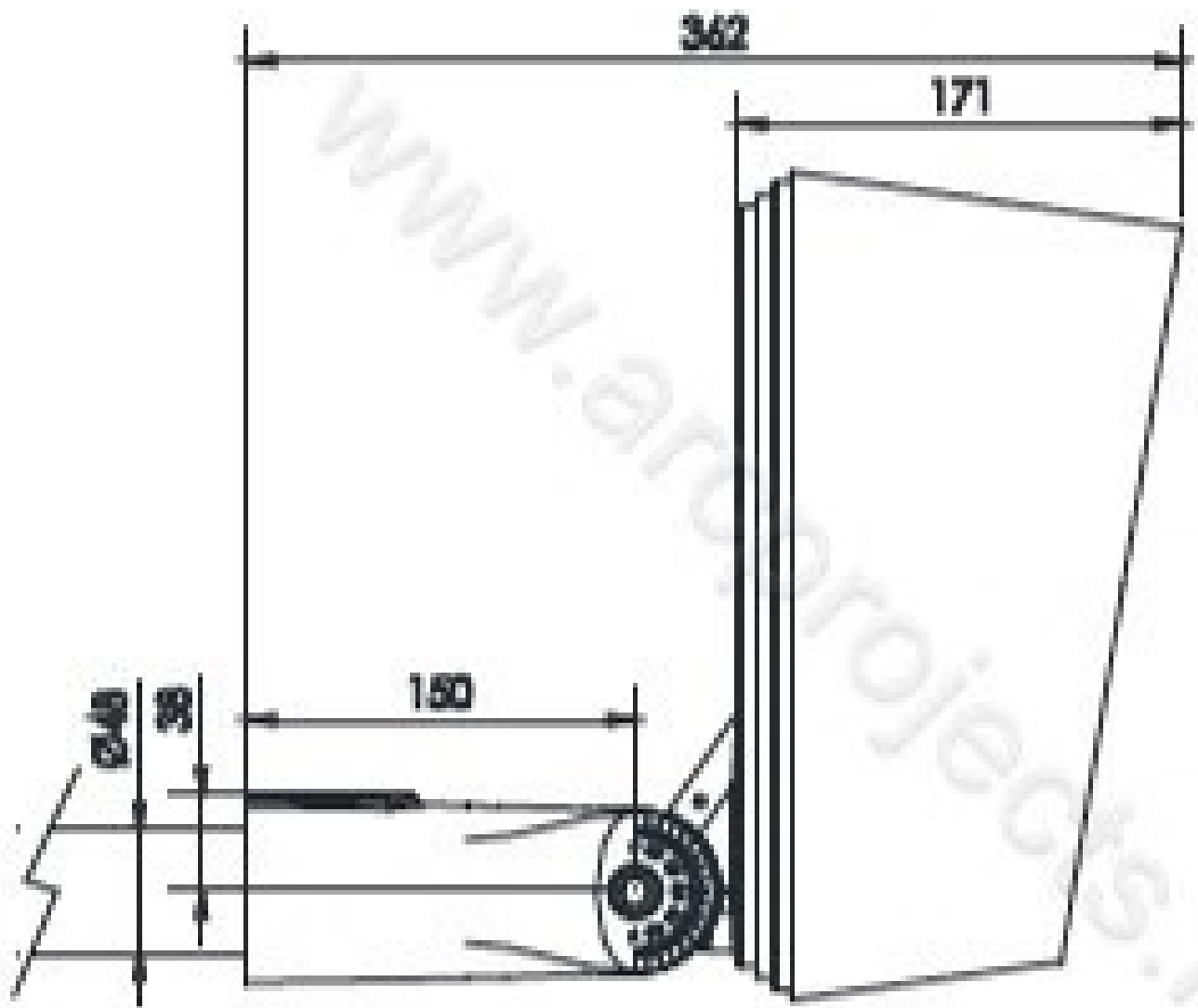


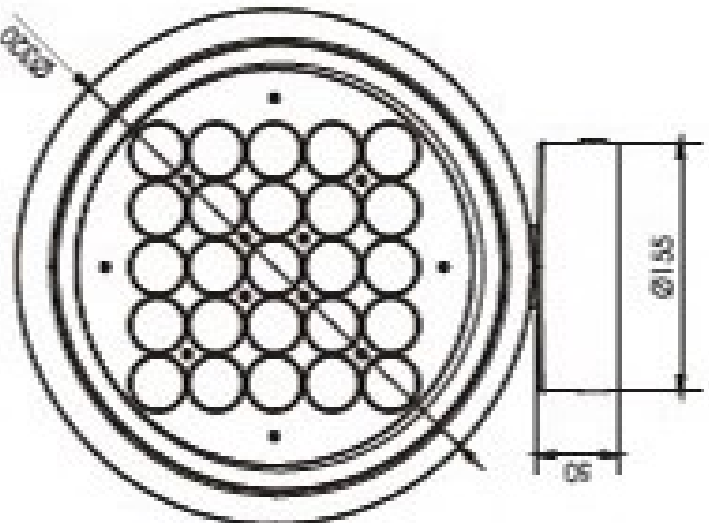
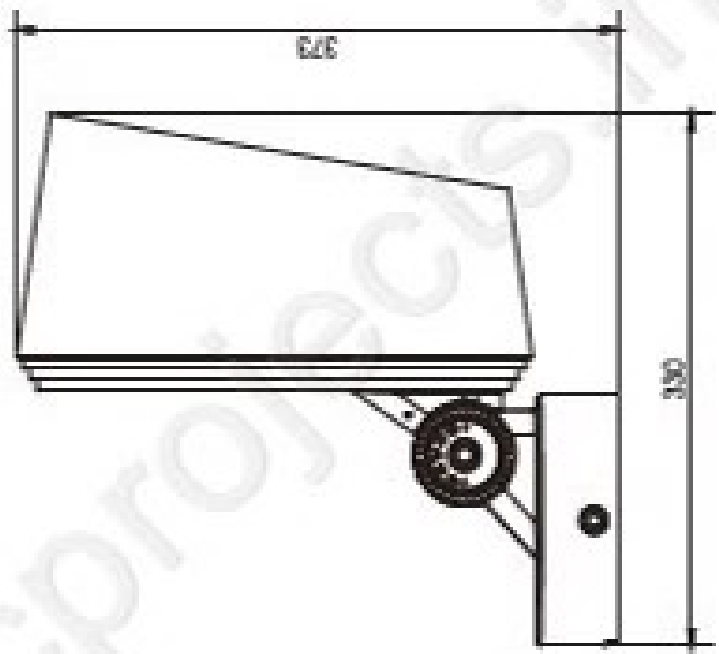
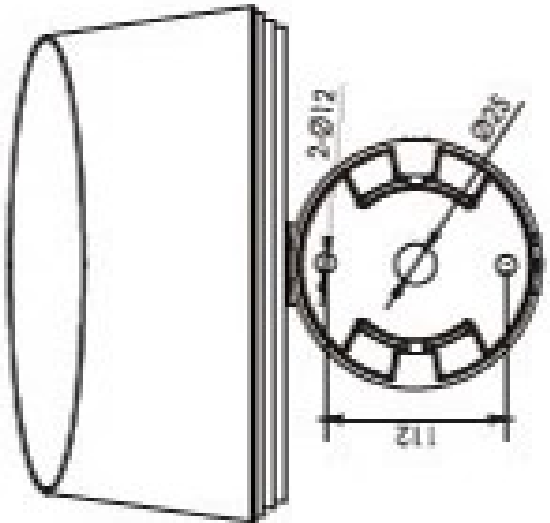
Specification

Product Code	1132FE-25	1132FD-25	1132FF-24	1132FC-72
Led Brand	CREE XP-L	CREE XP-G3	CREE RGBW 4 in1	CREE XP-E2
Led Quantity	25pcs	25pcs	24pcs	72pcs
Rared Power	120W	85W	150W/200W	150W
Input Voltage	AC100-305V	AC100-305V	DC36V / AC100-305V	
Frequency Range	50/60Hz	50/60Hz	50/60Hz	50/60Hz
Color	Single	Single	RGBW	RGB/RBGW
Beam Angle	2.6° 3.5° 12° 20° 30° 60° 10X70° 5X20		20° 30° 15X60°	5° 8° 12.5° 30° 10X60°
Control Mode	CC/DALI/0-10V	CC/DALI/0-10V	DMX512/RDM	DMX512/RDM
Life	50000H	50000H	50000H	50000H
Protection Grade	IP66	IP66	IP66	IP66
Ambient Temperature	-25℃~50℃	-25℃~50℃	-25℃~50℃	-25℃~50℃
Ambient Humidity	10%~90%	10%~90%	10%~90%	10%~90%



1132M

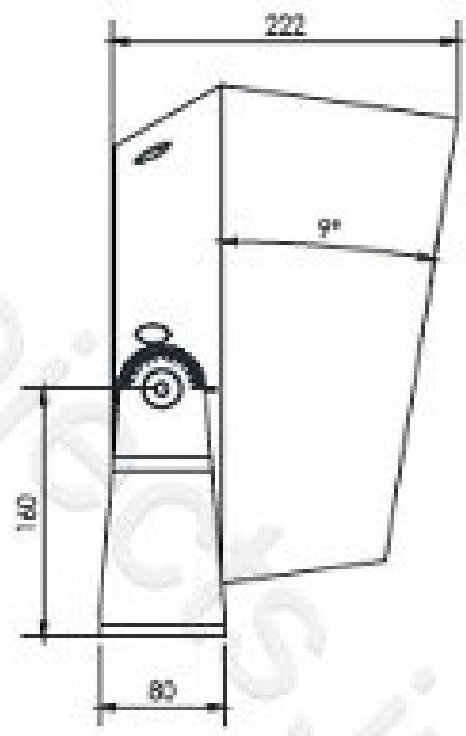
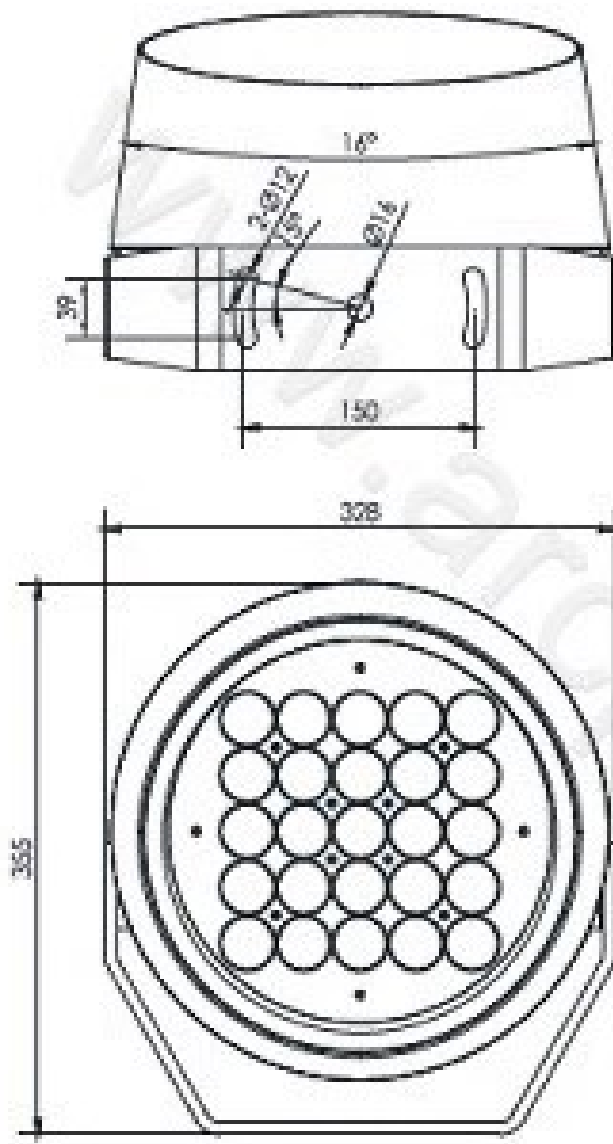




www.arcprojecktsim



1132U





1132U

